



EZ Bar Series

Small Internal Machining



Easy Adjustment and High Precision for a Wide Range of Applications

The EZ Bar Prevents Deviation with High-rigidity Clamping

Unique Design Provides a Smooth Supply of Coolant

"EZ Bar PLUS" Indexable Boring Bar Lineup Expansion

NEW EZ Bar PLUS Lineup Expansion

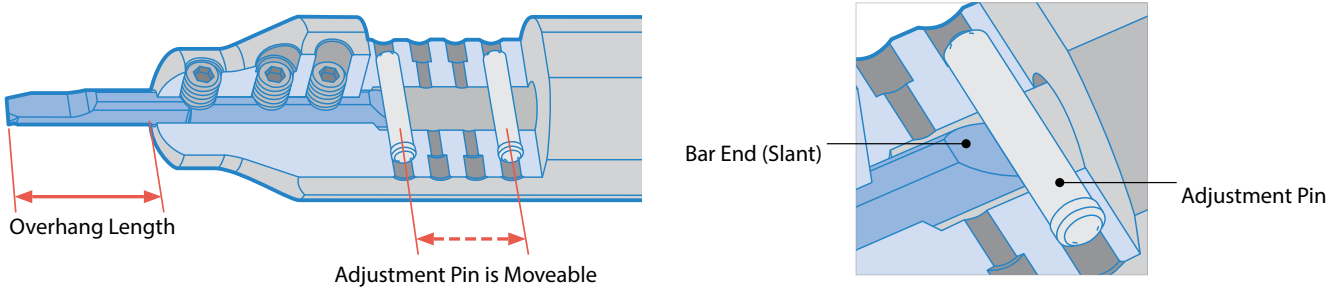


EZ Bar Series for Small Internal Machining

Min. Bore Dia. \varnothing 2mm - Easy Adjustment and High Precision
 Large Tooling Lineup for a Wide Application Range

1 Adjustable Overhang Length (EZ Adjust Structure)

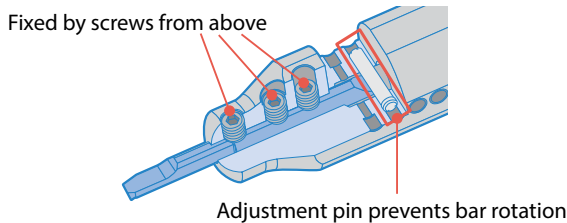
For CT sleeves with coolant holes and HP sleeves with positioning function, the overhang length can be set by moving adjustment pins



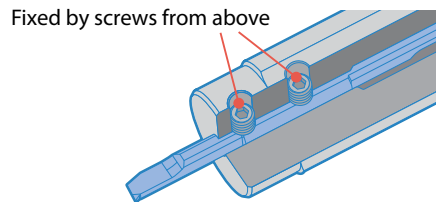
2 Minimized Deviation of Cutting Diameter

The adjustment pin prevents the bar from rotating during machining

EZ Bar

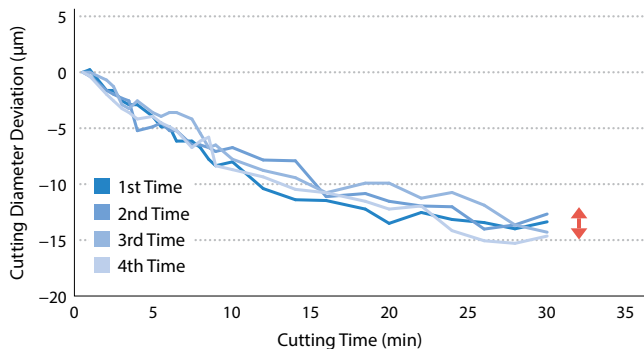


Competitor

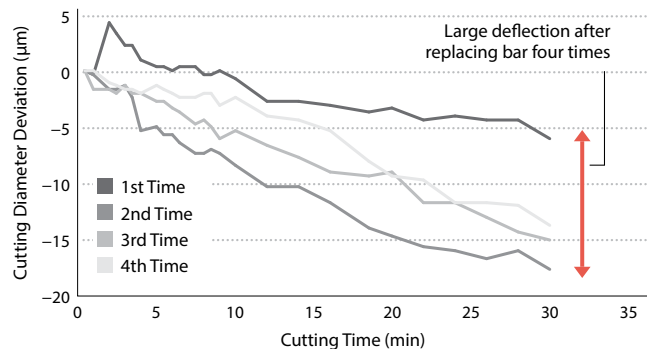


Cutting Diameter Deviation Comparison (Internal Evaluation)

EZ Bar



Competitor A



Cutting Conditions: $V_c = 220$ sfm, D.O.C. = 0.0039", $f = 0.0008$ ipr, Wet (Oil-base) Workpiece: W1-9

3

Large Tooling Lineup for a Wide Application Range

Can be used for boring, turning, internal grooving, face grooving, and threading (See page 3)
 Large lineup of sleeves allows for an optimized tool selection for various applications

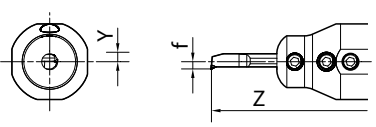
How to Select Bars (High Precision)

Select the HP bar for high precision and the ST bar for cost reduction (tolerances are different).

HP (Precision-oriented)

ST (Cost-oriented)

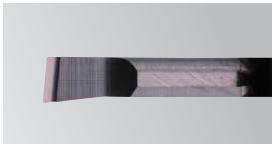


Bar Setting	Bar Tolerance	Offset (f)	Longitudinal Direction (Z)	Cutting Edge Height (Y)	Min. Bore Dia.
 <p>Y = Cutting Edge Height Z = Longitudinal Direction f = Offset</p>	HP	± 0.025mm	± 0.05mm	+ 0.05mm / 0mm	Same as Shank Dia.
	ST	± 0.060mm	± 0.10mm	+ 0.06mm / 0mm	Different than Shank Dia.

How to Select Bars (Chipbreakers)

Chipbreakers for Various Applications

H Type without Lead Angle



Recommended D.O.C.
More than 0.2mm

1st Recommendation
 General Purpose
 Extended Reach Available
 (Part Number: ... HP ... -LT)

F Type with Lead Angle



Recommended D.O.C.
Less than 0.2mm

Finishing / Sharpness Oriented

NB Type without Chipbreaker

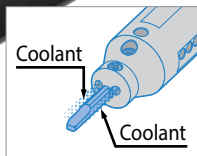


Non-ferrous Metal Machining
 PCD / CBN Inserts Available

How to Select Sleeves

Choose between three types of sleeves

EZH-CT with EZ Adjust Structure with Coolant Hole



Smooth coolant flow due to special head design

EZH-HP with EZ Adjust Structure



EZH-ST for Cost Oriented Machining

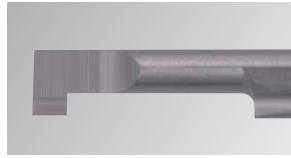


New Lineup of Internal Profiling, Internal Grooving, Face Grooving and Threading Bars

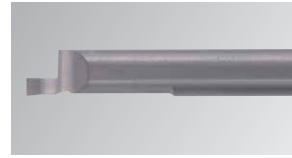
Internal Profiling (EZVB)



Internal Grooving (EZG)



Face Grooving (EZFG)



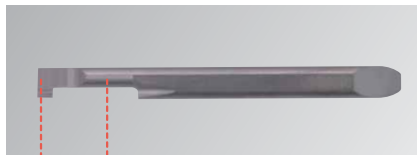
Threading (EZT)



Minimum Bore Diameter 3mm
Available for Threading M4 Metric Screw Threads

Two different Overhang Lengths (L2 Dimension) are Available for Internal Grooving (EGZ)

Standard Length



Stub Length (Indicated with "S" at the end of Part Number)



High Rigidity and Anti-chattering

Chip Evacuation (In-house Evaluation)

1045

EZG EZGR040040-200 (Groove Width 0.0787")			
f : (ipr)	0.0004	0.0008	0.0012

Cutting Condition: Vc = 260 sfm, Groove Depth 0.039" (D.O.C. = 0.008" x 5 Times) Wet

304

EZG EZGR040040-200 (Groove Width 0.0787")		
f : (ipr)	0.0004	0.0008

Cutting Condition: Vc = 200 sfm, Groove Depth 0.039" (D.O.C. = 0.008" x 5 Times) Wet

Stable Machining with Chip Control Oriented Chipbreaker

Chip Evacuation (Internal Evaluation)

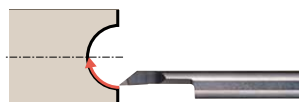
EZVB

D.O.C.	f	0.0004 (ipr)	0.0012 (ipr)	0.0020 (ipr)
0.0028"				
0.0020"				
0.0012"				

Competitor B

D.O.C.	f	0.0004 (ipr)	0.0012 (ipr)	0.0020 (ipr)
0.0028"				
0.0020"				
0.0012"				

Internal Spherical Profiling



Cutting Condition: Vc = 330 sfm, Wet Workpiece: 304

EZ Bar Plus Indexable Small Diameter Boring

High Precision Solid Bar with the Convenience of Indexable Inserts
Reduces Machining Costs

1 Minimum Bore Diameter (5mm)

Carbide or steel bars can be selected depending on the machining purpose



Carbide Bar

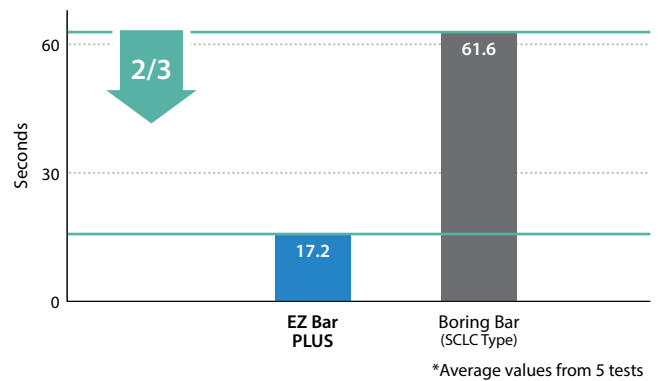


Steel Bar

2 Reduces Installing Times by 1/3

The EZ adjust structure features much lower mounting times compared to conventional boring bars

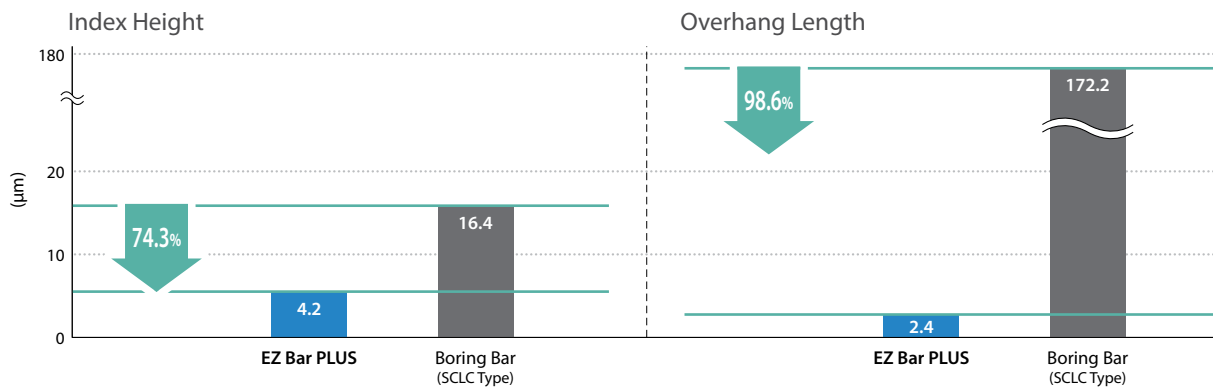
Mounting Time Comparison (Internal Evaluation)

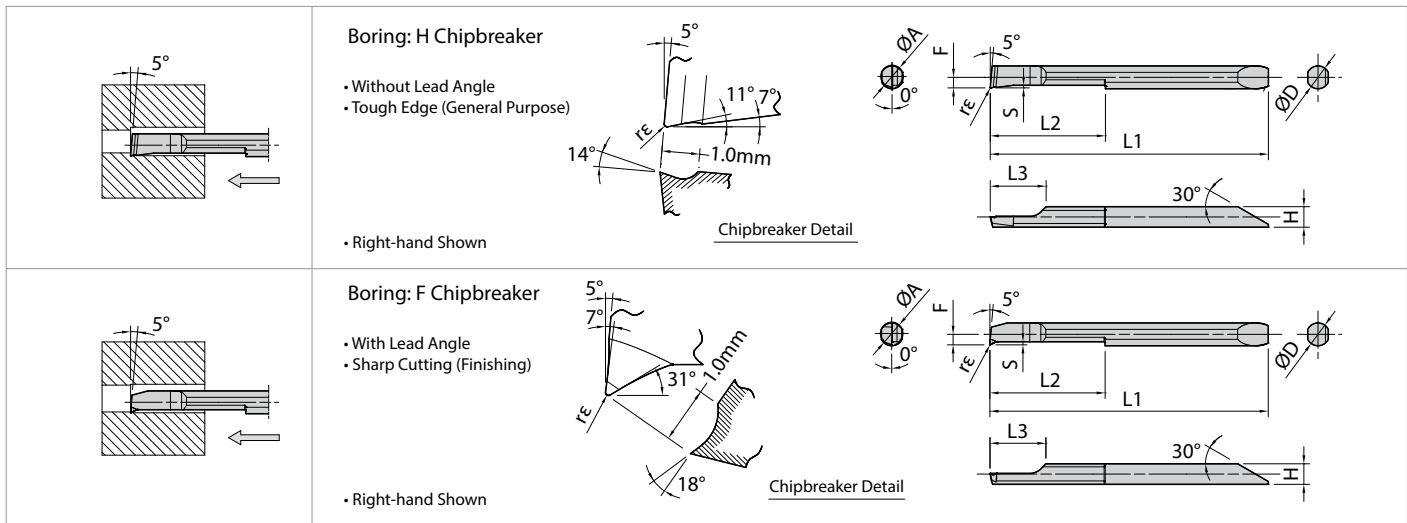


3 Excellent Accuracy and Repeatability

The EZ adjust structure features higher repeatability and accuracy compared with conventional boring bars

Repeatability Comparison (Internal Evaluation)





EZ Bar Dimensions

Part Number	Min. Bore Dia.	Dimensions (mm)								Grades		Applicable Sleeve See P17-P22
		ØA	ØD	H	L1	L2	L3	F	S	re	MEGACOAT PR1225	
EZBR 020020HP-008H	2.0	2.0	1.8	32.0	8.0	4.9	0.85	0.25	0.08 ±0.015	○	○	EZH020...
				36.0	12.0				0.08 ±0.015	○		
				025025HP-008H	2.5				2.5	2.3	35.0	
025025HP-008H-LT	39.5	15.0	0.08 ±0.015	○								
025025HP-015H	3.0	3.0	2.7	35.0	10.5	6.9	1.35	0.30	0.15 ±0.020	○	○	EZH025...
030030HP-008H				38.9	13.0				0.08 ±0.015	●	○	
030030HP-008H-LT				47.9	18.0				0.08 ±0.015	○	○	
030030HP-015H	3.5	3.5	3.2	38.9	13.0	6.9	1.60	0.40	0.15 ±0.020	●	○	EZH030...
035035HP-008H				41.9	15.0				0.08 ±0.015	●	○	
035035HP-008H-LT				51.9	21.0				0.08 ±0.015	○	○	
035035HP-015H	4.0	4.0	3.6	41.9	15.0	9.8	1.85	0.40	0.15 ±0.020	●	○	EZH035...
040040HP-008H				48.8	20.0				0.08 ±0.015	●	○	
040040HP-008H-LT				60.8	28.0				0.08 ±0.015	○	○	
040040HP-015H	5.0	5.0	4.6	48.8	20.0	9.8	2.35	0.50	0.15 ±0.020	●	○	EZH040...
050050HP-008H				58.1	25.0				0.08 ±0.015	●	○	
050050HP-008H-LT				73.1	35.0				0.08 ±0.015	○	○	
050050HP-015H	6.0	6.0	5.6	58.1	25.0	11.8	2.85	0.60	0.15 ±0.020	●	○	EZH050...
060060HP-008H				66.1	30.0				0.08 ±0.015	●	○	
060060HP-008H-LT				83.1	42.0				0.08 ±0.015	○	○	
060060HP-015H	2.0	2.0	1.8	66.1	30.0	4.9	0.85	0.25	0.15 ±0.020	○	○	EZH060...
EZBR 020020HP-005F				32.0	8.0				0.05 ±0.010	○	○	
025025HP-005F				2.5	2.5				2.3	35.0	10.5	
025025HP-015F	35.0	10.5	0.15 ±0.020			○	○					
030030HP-005F	3.0	3.0	2.7	38.9	13.0	6.9	1.35	0.40	0.15 ±0.020	○	○	EZH025...
030030HP-015F				38.9	13.0				0.05 ±0.010	●	○	
035035HP-005F				41.9	15.0				0.05 ±0.010	●	○	
035035HP-015F	3.5	3.5	3.2	41.9	15.0	6.9	1.60	0.50	0.15 ±0.020	○	○	EZH030...
040040HP-005F				48.8	20.0				0.05 ±0.010	●	○	
040040HP-015F				48.8	20.0				0.15 ±0.020	●	○	
050050HP-005F	4.0	4.0	3.6	58.1	25.0	9.8	1.85	0.50	0.05 ±0.010	○	○	EZH035...
050050HP-015F				58.1	25.0				0.15 ±0.020	●	○	
060060HP-005F				66.1	30.0				0.05 ±0.010	○	○	
060060HP-015F	5.0	5.0	4.6	66.1	30.0	11.8	2.35	0.70	0.15 ±0.020	●	○	EZH040...
060060HP-005F				66.1	30.0				0.05 ±0.010	○	○	
060060HP-015F				66.1	30.0				0.15 ±0.020	●	○	

Tolerance (of the reference pin): Offset ±0.025mm, Overall Length ±0.05mm, Edge Height +0.05 / 0mm

EZ Bars Sold in 1 Piece Boxes

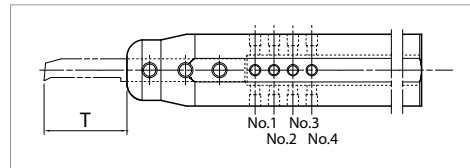
● : U.S. Stock ○ : World Express (Shipping: 7-10 Business Days)

EZ Bar Identification System

EZ	B	R	020	020	HP	- 008	H
Bar Symbol (EZ Bar)	Application B : Boring Bar	Bar Hand R : Right-hand	Min. Bore Dia. 020 : 2.0mm 025 : 2.5mm	Shank Dia. 020 : 2mm 025 : 2.5mm	Precision HP : High Precision ST : Standard	Corner-R(re) 008 : 0.08mm 015 : 0.15mm	Chipbreaker H: Chipbreaker (Without Lead Angle) H-LT: Chipbreaker (Extended Reach) F: Chipbreaker (With Lead Angle) NB: Without Chipbreaker

Extended Reach (...HP...-LT) Bar Overhang Length T (mm)

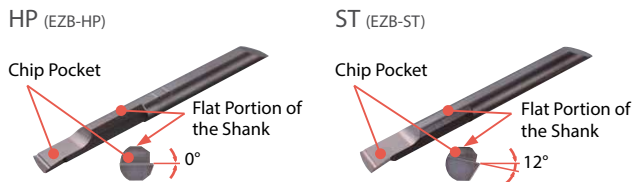
Part Number	Adjustment Pin Setting			
	No.1	No.2	No.3	No.4
EZBR 020020HP-008H-LT	12.5	8.5	-	-
025025HP-008H-LT	15.5	11.5	-	-
030030HP-008H-LT	22.5	18.5	14.5	-
035035HP-008H-LT	25.5	21.5	17.5	-
040040HP-008H-LT	32.5	28.5	24.5	20.5
050050HP-008H-LT	40.5	35.5	30.5	25.5
060060HP-008H-LT	47.5	42.5	37.5	32.5



*Additional machining is required for the dimensions in red.

How to Distinguish Bars

Chip Pocket Angles are Different



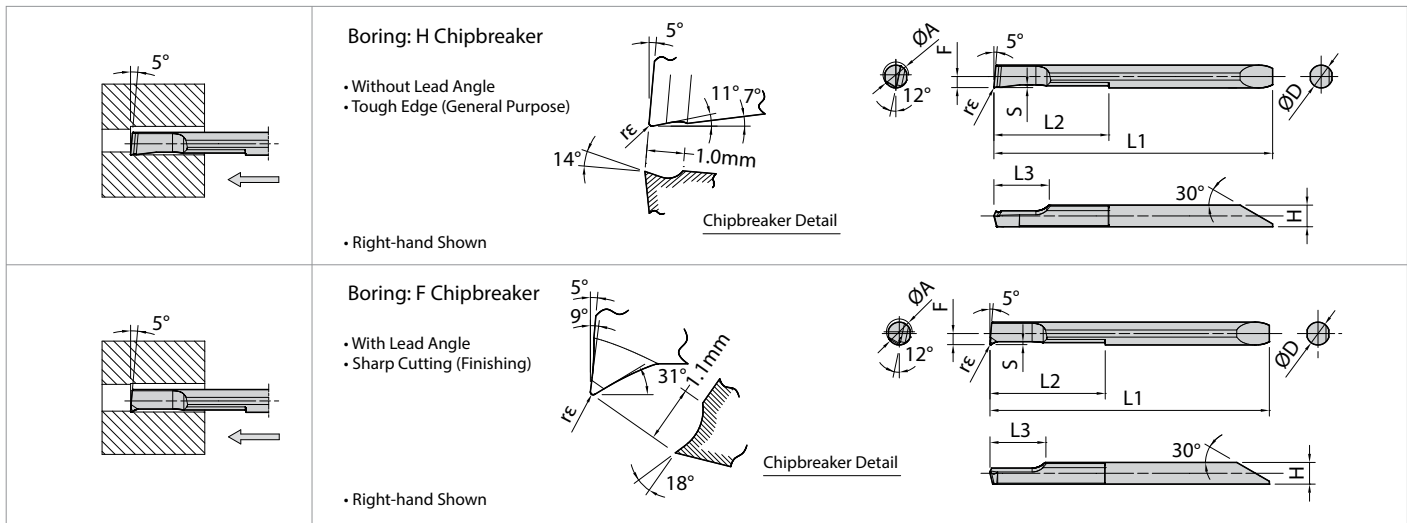
EZ Bar Compatibility

EZ Bar is Compatible with Conventional Tip Bars

Sleeve	Bar	EZB ... HP	EZB ... ST	HPB ... (Conventional)
	EZB ... HP	✓	✓	*1*2 ✓ (Compatible)
	EZB ... ST	✓	✓	*1 ✓ (Compatible)
	HPB ... (Conventional)	*1 ✓ (Compatible)	*1 ✓ (Compatible)	✓

*1: Some diameters of conventional tip bars are incompatible.

*2: Use conventional tip bars without adjustment pins.
The overhang length of bar is not adjustable.



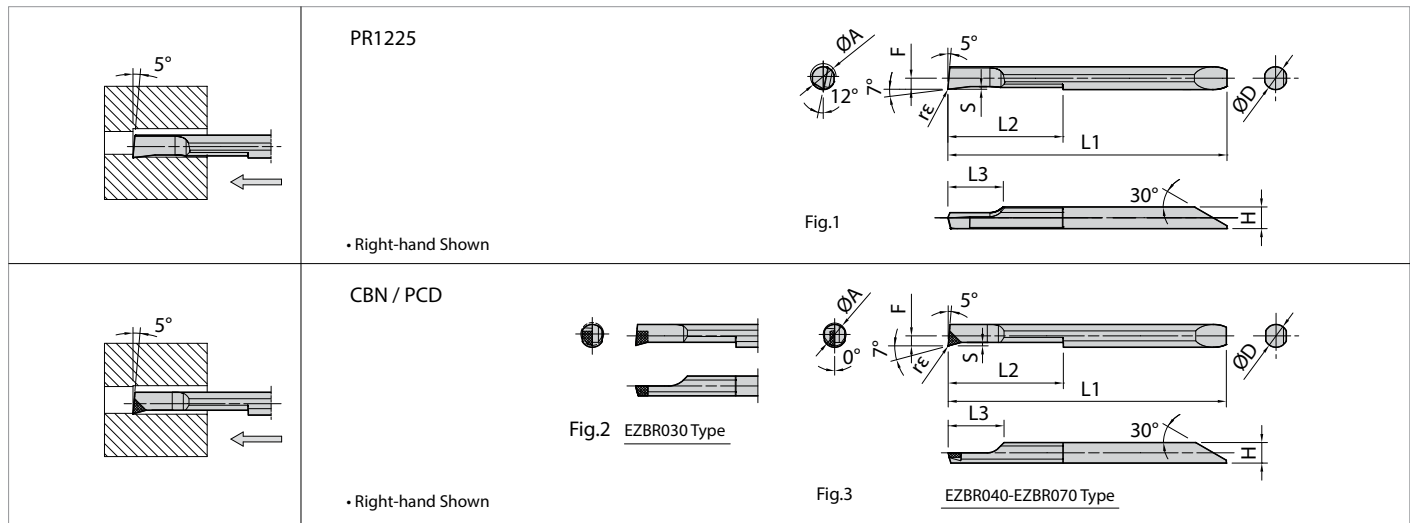
EZ Bar Dimension

Part Number	Min. Bore Dia.	Dimensions (mm)								Grades		Applicable Sleeve See P17-P22
		ØA	ØD	H	L1	L2	L3	F	S	rE	MEGACOAT	
EZBR 020017ST-008H	2.0	1.7	1.50	27.3	7.0	4.7	0.79	0.19	0.08 ±0.015	●	EZH017...	
025020ST-008H	2.5	2.0	1.82	32.0	8.0	4.8	0.94	0.16	0.08 ±0.015	●		
025020ST-015H									0.15 ±0.020	●		
030025ST-008H	3.0	2.5	2.30	35.0	10.5	4.8	1.19	0.15	0.08 ±0.015	○	EZH025...	
030025ST-015H									0.15 ±0.020	○		
035030ST-008H	3.5	3.0	2.80	39.0	13.0	6.8	1.44	0.18	0.08 ±0.015	●	EZH030...	
035030ST-015H									0.15 ±0.020	●		
040035ST-008H	4.0	3.5	3.30	42.0	15.0	6.7	1.69	0.24	0.08 ±0.015	○	EZH035...	
040035ST-015H									0.15 ±0.020	●		
045040ST-008H	4.5	4.0	3.80	49.0	20.0	9.7	1.94	0.27	0.08 ±0.015	●	EZH040...	
045040ST-015H									0.15 ±0.020	●		
055050ST-008H	5.5	5.0	4.80	58.2	25.0	9.7	2.44	0.33	0.08 ±0.015	○	EZH050...	
055050ST-015H									0.15 ±0.020	●		
065060ST-008H	6.5	6.0	5.80	66.2	30.0	11.8	2.94	0.38	0.08 ±0.015	○	EZH060...	
065060ST-015H									0.15 ±0.020	○		
075070ST-008H	7.5	7.0	6.80	74.2	35.0	11.7	3.44	0.44	0.08 ±0.015	○	EZH070...	
075070ST-015H									0.15 ±0.020	○		
EZBR 020017ST-005F	2.0	1.7	1.50	27.3	7.0	4.7	0.79	0.20	0.05 ±0.010	○	EZH017...	
025020ST-005F	2.5	2.0	1.82	32.0	8.0	4.8	0.94	0.16	0.05 ±0.010	●	EZH020...	
025020ST-015F									0.15 ±0.020	○		
030025ST-005F	3.0	2.5	2.30	35.0	10.5	4.8	1.19	0.20	0.05 ±0.010	○	EZH025...	
030025ST-015F									0.15 ±0.020	○		
035030ST-005F	3.5	3.0	2.80	39.0	13.0	6.8	1.44	0.26	0.05 ±0.010	○	EZH030...	
035030ST-015F									0.15 ±0.020	○		
040035ST-005F	4.0	3.5	3.30	42.0	15.0	6.7	1.69	0.33	0.05 ±0.010	○	EZH035...	
040035ST-015F									0.15 ±0.020	○		
045040ST-005F	4.5	4.0	3.80	49.0	20.0	9.7	1.94	0.31	0.05 ±0.010	○	EZH040...	
045040ST-015F									0.15 ±0.020	●		
055050ST-005F	5.5	5.0	4.80	58.2	25.0	9.7	2.44	0.45	0.05 ±0.010	●	EZH050...	
055050ST-015F									0.15 ±0.020	○		
065060ST-005F	6.5	6.0	5.80	66.2	30.0	11.7	2.94	0.59	0.05 ±0.010	○	EZH060...	
065060ST-015F									0.15 ±0.020	●		
075070ST-005F	7.5	7.0	6.80	74.2	35.0	11.7	3.44	0.65	0.05 ±0.010	●	EZH070...	
075070ST-015F									0.15 ±0.020	○		

Tolerance: Offset ±0.06mm, Overall Length ±0.10mm, Edge Height +0.06 / 0mm

EZ Bars Sold in 1 Piece Boxes

● : U.S. Stock ○ : World Express (Shipping: 7-10 Business Days)



EZ Bar Dimensions

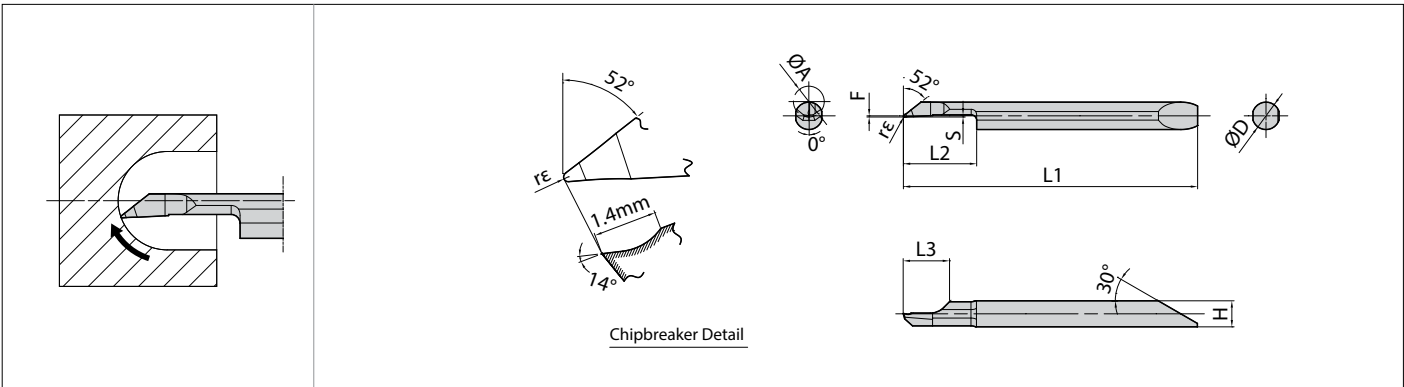
Part Number	Min. Bore Dia.	Dimensions (mm)								Drawing	Grades			Applicable Sleeve See P17-P22	
		ØA	ØD	H	L1	L2	L3	F	S		rε	MEGACOAT	MEGACOAT CBN		PCD
												PR1225	KBN05M		KPD001
EZBR 020017-005NB	2.0	1.7	1.50	27.3	7.0	4.7	0.79	0.20	0.05 ±0.015	Fig.1	○			EZH017...	
025020-005NB	2.5	2.0	1.82	32.0	8.0	4.8	0.94	0.16			○			EZH020...	
030025-005NB	3.0	2.5	2.30	35.0	10.5	4.8	1.19	0.16			○			EZH025...	
035030-005NB	3.5	3.0	2.80	39.0	13.0	6.8	1.44	0.19			○			EZH030...	
040035-005NB	4.0	3.5	3.30	42.0	15.0	6.7	1.69	0.25			○			EZH035...	
045040-005NB	4.5	4.0	3.80	49.0	20.0	9.7	1.94	0.28			●			EZH040...	
055050-005NB	5.5	5.0	4.80	58.2	25.0	9.7	2.44	0.33			●			EZH050...	
065060-005NB	6.5	6.0	5.80	66.2	30.0	11.7	2.94	0.39			○			EZH060...	
075070-005NB	7.5	7.0	6.80	74.2	35.0	11.7	3.44	0.45	○			EZH070...			
EZBR 030030-003NB	3.0	3.0	2.60	38.8	13.0	6.8	1.25	0.30	0.035 ±0.015	Fig.2		○		EZH030...	
040040-003NB	4.0	4.0	3.60	48.8	20.0	9.8	1.75	0.50				○	○	EZH040...	
050050-003NB	5.0	5.0	4.60	58.1	25.0	9.8	2.25	0.50				○	○	EZH050...	
060060-003NB	6.0	6.0	5.60	66.1	30.0	11.8	2.75	0.50				○	○	EZH060...	
070070-003NB	7.0	7.0	6.60	74.1	35.0	11.8	3.25	0.50				○	○	EZH070...	
EZBR 040040-003NB	4.0	4.0	3.60	48.8	20.0	9.8	1.75	0.50	0.035 ±0.015	Fig.3		○	○	EZH040...	
050050-003NB	5.0	5.0	4.60	58.1	25.0	9.8	2.25	0.50				○	○	EZH050...	
060060-003NB	6.0	6.0	5.60	66.1	30.0	11.8	2.75	0.50				○	○	EZH060...	
070070-003NB	7.0	7.0	6.60	74.1	35.0	11.8	3.25	0.50				○	○	EZH070...	

EZ Bars Sold in 1 Piece Boxes

● : U.S. Stock ○ : World Express (Shipping: 7-10 Business Days)

Edge Preparation

Carbide	Edge Preparation	Notes
PR1225	Shape Edge	-
KBN05M	T00315	0.003" × 15° Chamfered Cutting Edge
KPD001	Shape Edge	-



EZ Bar Dimensions

Part Number	Min. Bore Dia.	Dimensions (mm)								Grades	Applicable Sleeve See P17-P22
		ØA	ØD	H	L1	L2	L3	F	S	re	
EZVBR 035030-010	3.5	3	2.8	38.0	8	5.8	0.17	0.22	0.10 ±0.015	●	EZH030...
045040-010	4.5	4	3.8	43.0	10	6.8	0.17	0.26		●	EZH040...
055050-010	5.5	5	4.8	50.2	12	7.7	0.17	0.29		○	EZH050...
065060-010	6.5	6	5.8	55.2	14	8.6	0.17	0.32		●	EZH060...

EZ Bars Sold in 1 Piece Boxes

● : U.S. Stock

Recommended Cutting Conditions

H Chipbreaker EZB-HP...H Type / EZB-ST...H Type

Workpiece	Insert Grade (Vc : sfm)		EZB020/025 Type		EZB030/035 Type		EZB040/045 Type		EZB050/055/060/065/075 Type		Notes
	MEGACOAT	Carbide	D.O.C. : (inch), f : (ipr)								
	PR1225	GW05	D.O.C.	f	D.O.C.	f	D.O.C.	f	D.O.C.	f	
Carbon Steel / Alloy Steel	100 - 330	-	- 0.012	- 0.0012	- 0.016	- 0.0016	- 0.018	- 0.0028	- 0.020	- 0.0039	Wet
Stainless Steel	100 - 260	-	- 0.008	- 0.0008	- 0.012	- 0.0012	- 0.014	- 0.0020	- 0.016	- 0.0028	
Non-ferrous Metals	-	- 330	- 0.012	- 0.0020	- 0.016	- 0.0024	- 0.018	- 0.0039	- 0.020	- 0.0059	

H Chipbreaker (Long Type)

Workpiece	Insert Grade (Vc : sfm)	EZB020/025/030/035 Type		EZB040/050/060 Type		Notes
		*Recommended Conditions for Overhang Length of 6xD				
	MEGACOAT	D.O.C. : (inch), f : (ipr)				
PR1225	D.O.C.	f	D.O.C.	f		
Carbon Steel / Alloy Steel	100 - 200	- 0.012	- 0.0020	- 0.016	- 0.0039	Wet
Stainless Steel	30 - 130	- 0.010	- 0.0020	- 0.012	- 0.0028	

Recommended Cutting Conditions

F Chipbreaker EZB-HP...F Type / EZB-ST...F Type

Workpiece	Insert Grade (Vc : sfm)	EZB020/025 Type		EZB030/035 Type		EZB040/045 Type		EZB050/055/060/065/075 Type		Notes
	MEGACOAT	D.O.C. : (inch), f : (ipr)								
	PR1225	D.O.C.	f	D.O.C.	f	D.O.C.	f	D.O.C.	f	
Carbon Steel / Alloy Steel	100 - 330	- 0.008	- 0.0012	- 0.008	- 0.0020	- 0.012	- 0.0028	- 0.012	- 0.0028	Wet
Stainless Steel	100 - 260		- 0.0008		- 0.0012	- 0.010	- 0.0020	- 0.010	- 0.0020	

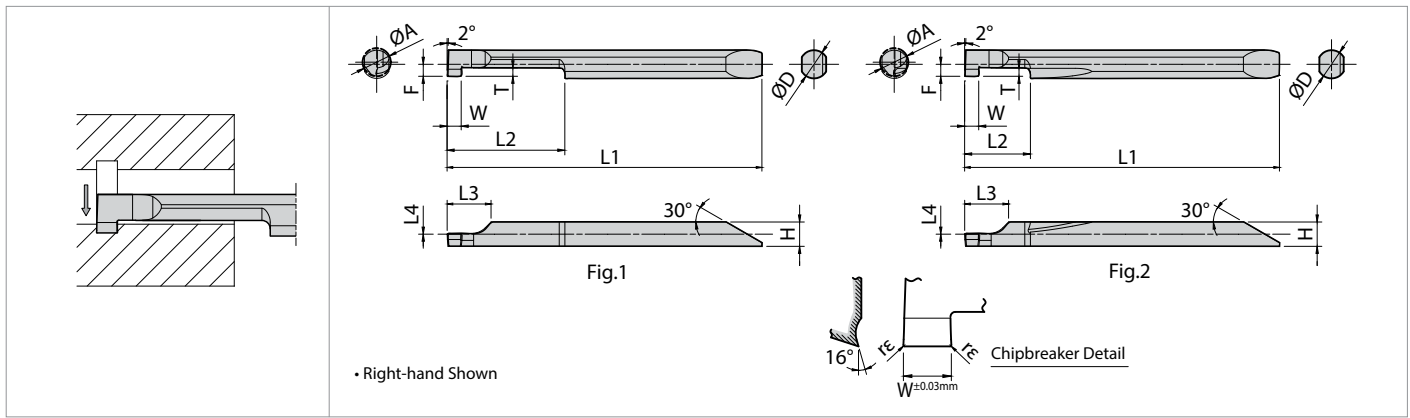
NB Type (without Chipbreaker)

Workpiece	Insert Grade (Vc : sfm)	EZB020/025 Type		EZB030/035 Type		EZB040/045 Type		EZB055/065/075 Type		Notes
	MEGACOAT	D.O.C. : (inch), f : (ipr)								
	PR1225	D.O.C.	f	D.O.C.	f	D.O.C.	f	D.O.C.	f	
Carbon Steel / Alloy Steel	100 - 330	- 0.012	- 0.0012	- 0.016	- 0.0016	- 0.018	- 0.0028	- 0.020	- 0.0039	Wet
Stainless Steel	100 - 260	- 0.008	- 0.0008	- 0.012	- 0.0012	- 0.014	- 0.0020	- 0.016	- 0.0028	
Non-ferrous Metals	200 - 330	- 0.012	- 0.0020	- 0.016	- 0.0024	- 0.018	- 0.0028	- 0.020	- 0.0039	

Workpiece	Insert Grade (Vc : sfm)		EZB030 Type		EZB040/045 Type		EZB050/060/070 Type		Notes
	MEGACOAT CBN	PCD	D.O.C. : (inch), f : (ipr)						
	KBN05M	KPD001	D.O.C.	f	D.O.C.	f	D.O.C.	f	
Non-ferrous Metals	-	- 980	-	-	- 0.018	- 0.0039	- 0.020	- 0.0059	Wet
Hardened Materials (Heat-treated Steel)	- 330	-	- 0.003	- 0.0012	- 0.004	- 0.0020	- 0.006	- 0.0028	

EZVB (Boring / Internal Facing / Internal Profiling)

Workpiece	Insert Grade (Vc : sfm)	EZVB035 Type		EZVB045 Type		EZVB055/065 Type		Notes
	MEGACOAT	D.O.C. : (inch), f : (ipr)						
	PR1225	D.O.C.	f	D.O.C.	f	D.O.C.	f	
Carbon Steel / Alloy Steel	100 - 330	- 0.002	- 0.0016	- 0.003	- 0.0028	- 0.004	- 0.0028	Wet
Stainless Steel	100 - 260	- 0.001	- 0.0012	- 0.002	- 0.0020	- 0.003	- 0.0020	



EZ Bar Dimensions

Part Number	Min. Bore Dia. ØA	Dimensions (mm)										Drawing	MEGACOAT PR1225	Applicable Sleeve See P17-P22
		W±0.03	rε	ØD	H	L1	L2	L3	L4	F	T			
EZGR 040040-050	4	0.5	0.05 ±0.013	4	3.45	44.7	12	6.2	0	1.70	1.0	Fig.2	●	EZH040..
EZGR 040040-100		1.0											○	
EZGR 040040-150		1.5											●	
EZGR 040040-200		2.0											○	
EZGR 050050-100	5	1.0	0.05 ±0.013	5	4.30	52.8	20	6.7	0	2.15	1.5	Fig.1	○	EZH050..
EZGR 050050-150		1.5											●	
EZGR 050050-200		2.0											○	
EZGR 060060-100	6	1.0	0.05 ±0.013	6	5.15	60.7	20	7.6	0	2.65	2.0	Fig.1	●	EZH060..
EZGR 060060-150		1.5											●	
EZGR 060060-200		2.0											○	
EZGR 070070-100	7	1.0	0.05 ±0.013	7	6.20	63.7	25	7.6	0	3.05	2.0	Fig.1	●	EZH070..
EZGR 070070-150		1.5											●	
EZGR 070070-200		2.0											○	
EZGR 080070-100	8	1.0	0.05 ±0.013	7	6.20	63.7	25	7.6	0	3.45	2.0	Fig.1	●	EZH070..
EZGR 080070-150		1.5											●	
EZGR 080070-200		2.0											○	
EZGR 030030-050S	3	0.5	0.05 ±0.013	3	2.50	38.7	5	4.8	0	1.25	0.8	Fig.2	○	EZH030..
EZGR 030030-100S		1.0											○	
EZGR 040040-050S	4	0.5	0.05 ±0.013	4	3.45	44.7	8	6.2	0	1.70	1.0	Fig.2	●	EZH040..
EZGR 040040-100S		1.0											○	
EZGR 040040-150S		1.5											○	
EZGR 040040-200S		2.0											●	
EZGR 050050-100S	5	1.0	0.05 ±0.013	5	4.30	52.8	10	6.7	0	2.15	1.5	Fig.2	○	EZH050..
EZGR 050050-150S		1.5											○	
EZGR 050050-200S		2.0											○	
EZGR 060060-100S	6	1.0	0.05 ±0.013	6	5.15	60.7	10	7.6	0	2.65	2.0	Fig.2	●	EZH060..
EZGR 060060-150S		1.5											○	
EZGR 060060-200S		2.0											○	
EZGR 070070-100S	7	1.0	0.05 ±0.013	7	6.20	63.7	10	7.6	0	3.05	2.0	Fig.2	○	EZH070..
EZGR 070070-150S		1.5											○	
EZGR 070070-200S		2.0											●	
EZGR 080070-100S	8	1.0	0.05 ±0.013	7	6.20	63.7	10	7.6	0	3.45	2.0	Fig.2	○	EZH070..
EZGR 080070-150S		1.5											○	
EZGR 080070-200S		2.0											○	

Dimension T: Available Grooving Depth "S" in Part number Shows Stub Length

EZ Bars Sold in 1 Piece Boxes

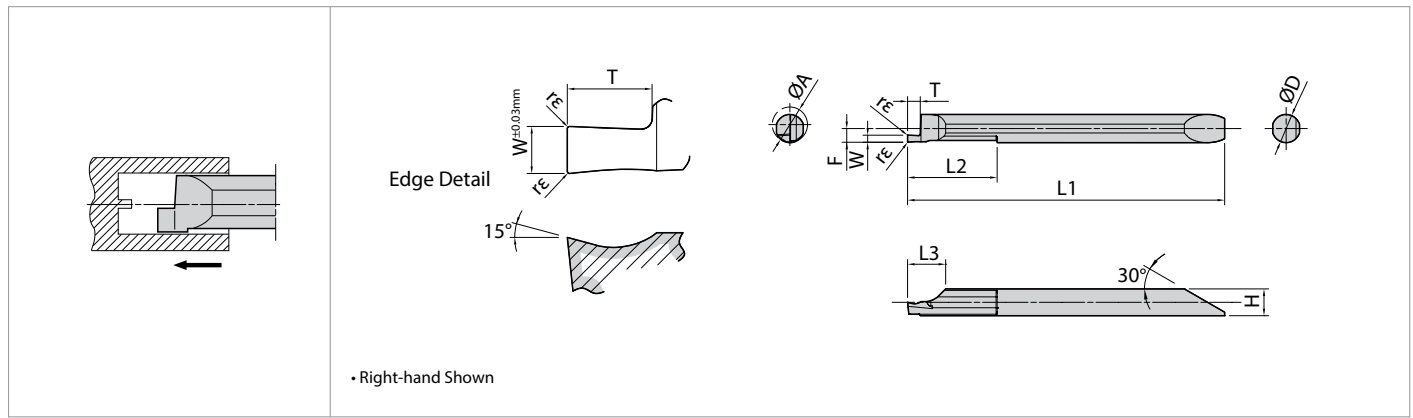
● : U.S. Stock ○ : World Express (Shipping: 7-10 Business Days)

Recommended Cutting Conditions

Workpiece	Insert Grade (Vc: sfm)	EZGR030030-...S	EZGR040040-... EZGR050050-... EZGR050050-...S (Stub Length)	EZGR060060-... EZGR070070-... EZGR080070-... (Stub Length)	EZGR060060-...S EZGR070070-...S EZGR080070-...S (Stub Length)	Notes			
	MEGACOAT						f: (ipr)		
	PR1225								
Carbon Steel / Alloy Steel	★ 100 - 330	- 0.0008	- 0.0012	- 0.0020		Wet			
Stainless Steel	★ 100 - 260	- 0.0004	- 0.0008	- 0.0012					

★ : 1st Recommendation

EZFG (Face Grooving)



EZ Bar Dimensions

Part Number	Face Grooving Dia. ØA		Dimensions (mm)								MEGACOAT PR1225	Applicable Sleeve See P17-P22	
	MIN.	MAX.	W ^{±0.03}	rε	ØD	H	L1	L2	L3	F			T
EZFGR 050040-100	5	∞	1.0	0.05 ±0.013	4	3.8	45.0	12	5.4	1.9	1.5	○	EZH040..
	(0)	(∞)	1.5								2.0		
060050-100	6 (0)	∞ (∞)	1.0	0.05 ±0.013	5	4.8	53.2	25	6.9	2.4	1.5	○	EZH050..
1.5			2.5										
2.0			3.0										
080070-100	8 (0)	∞ (∞)	1.0	0.05 ±0.013	7	6.8	64.2	25	7.9	3.4	2.0	○	EZH070..
1.5			2.5										
2.0			3.0										
3.0			3.0										

Dimension T: Available Grooving Depth

Face grooving diameter ØA MIN. (0) means that the initial groove can be made within MIN.~MAX. and then widened to the center.

EZ Bars Sold in 1 Piece Boxes

● : U.S. Stock

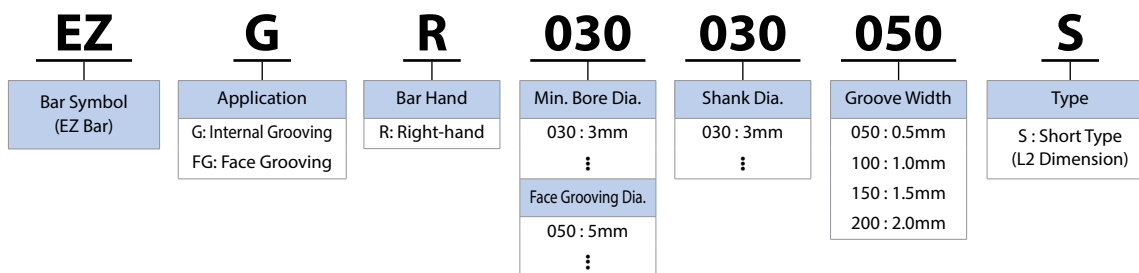
○ : World Express (Shipping: 7-10 Business Days)

Recommended Cutting Conditions

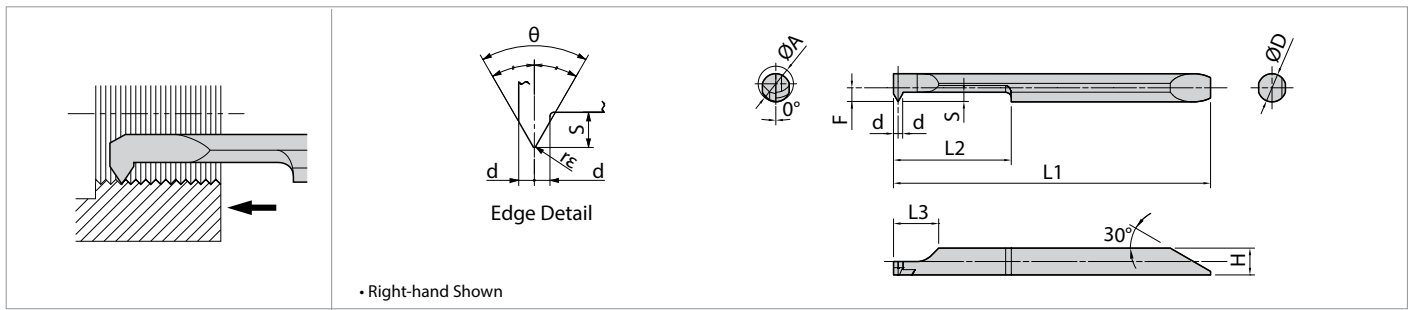
Workpiece	Insert Grade (Vc : sfm)	EZFGR050040-100 EZFGR060050-100 EZFGR080070-100	EZFGR050040-150 EZFGR060050-150 EZFGR080070-150	EZFGR060050-200 EZFGR080070-200	EZFGR080070-300	Notes
	MEGACOAT PR1225	f : (ipr)				
Carbon Steel / Alloy Steel	★ 100 - 330	- 0.0008	- 0.0012	- 0.0016	- 0.0020	Wet
Stainless Steel	★ 100 - 260	- 0.0004	- 0.0008	- 0.0008	- 0.0012	

★ : 1st Recommendation

Bar Identification System (Internal Grooving, Face Grooving)



EZT (Threading)



EZ Bar Dimensions

Part Number	Min. Bore Dia.	Dimensions (mm)										MEGA COAT	Applicable Threads						
		ØA	ØD	H	L1	L2	L3	F	S	d	rε		θ	Metric		Unified		American National Pipe	
														PR1225	Applicable Thread	Pitch (mm)	Applicable Thread	Pitch (mm)	Applicable Thread
EZTR 030025-60-002	3.0	2.5	2.3	35.0	6.5	5.4	1.19	1.0	0.50	0.020 ^{±0.010}	60°	○	M4 or more (M3.5 or more)	P0.50 - P0.80	No.8-32UNC No. 8-36UNF or more	36 - 32	-	-	
035030-60-002	3.5	3.0	2.8	39.0	9.0	5.9	1.44	1.2	0.60			○	M4.5 or more (M4.5 or more)	P0.50 - P1.00	No.10-24UNC No. 8-36UNF or more	36 - 24	-	-	
040035-60-004	4.0	3.5	3.3	42.0	11.0	5.9	1.69	1.2	0.60			●	M5 or more (M6 or more)	P0.75 - P1.25	No.12-24UNC No. 12-28UNF or more	28 - 20	-	-	
050040-60-004	5.0	4.0	3.8	45.0	16.0	6.4	1.94	1.3	0.65			●	M7 or more (M6 or more)	P0.75 - P1.50	1/4-20UNC 1/4-28UNF or more	28 - 18	-	-	
060050-60-004	6.0	5.0	4.8	53.2	20.0	7.4	2.44	1.6	0.80			●	M8 or more (M7 or more)	P0.75 - P1.50	5/16-18UNC 5/16-24UNF or more	24 - 16	1/4NPT 3/8NPT	18	
070060-60-004	7.0	6.0	5.8	61.2	25.0	8.4	2.94	2.0	1.00			●	M9 or more (M8 or more)	P0.75 - P1.75	3/8-16UNC 3/8-24UNF or more	24 - 16	1/4NPT or more	18,14	
												Whitworth		Parallel Pipe / Tapered Pipe					
EZTR 060050-55-008	6.0	5.0	4.8	53.2	20.0	7.4	2.44	1.6	0.80	0.085 ^{±0.015}	55°	○	W10 TPI 24 or more	24 - 20	G1/16 or more R1/16 or more	28	-	-	
080070-55-008	8.0	7.0	6.8	64.2	25.0	8.9	3.44	2.0	1.00			●	W11 TPI 220 or more	20 - 18	G1/8 or more R1/8 or more	28,19	-	-	

For American National Pipe (NPT), use EZTR...-60-004 **P15**
Applicable Sleeves **P23**

EZ Bars Sold in 1 Piece Boxes

● : U.S. Stock ○ : World Express (Shipping: 7-10 Business Days)

D.O.C. & Number of Passes (Metric)

Pitch (mm)	Total D.O.C. (mm)	No. of Passes	1 Pass	2 Pass	3 Pass	4 Pass	5 Pass	6 Pass	7 Pass	8 Pass	9 Pass	10 Pass	11 Pass	12 Pass	13 Pass	14 Pass	15 Pass	16 Pass	17 Pass	18 Pass	19 Pass	20 Pass
0.50	0.30	9	0.05	0.05	0.04	0.04	0.03	0.03	0.02	0.02	0.02											
0.70	0.42	10	0.06	0.05	0.05	0.05	0.05	0.04	0.04	0.03	0.03	0.02										
0.75	0.45	10	0.06	0.06	0.05	0.05	0.05	0.04	0.04	0.04	0.03	0.03										
0.80	0.48	11	0.06	0.06	0.05	0.05	0.05	0.04	0.04	0.04	0.03	0.03	0.03									
1.00	0.61	12	0.07	0.07	0.06	0.06	0.06	0.05	0.05	0.05	0.04	0.04	0.03	0.03								
1.25	0.77	14	0.07	0.07	0.07	0.07	0.06	0.06	0.06	0.06	0.05	0.05	0.04	0.04	0.04	0.03						
1.50	0.93	17	0.07	0.07	0.07	0.07	0.07	0.06	0.06	0.06	0.06	0.05	0.05	0.05	0.04	0.04	0.04	0.04	0.03			
1.75	1.10	20	0.07	0.07	0.07	0.07	0.07	0.07	0.06	0.06	0.06	0.06	0.06	0.05	0.05	0.05	0.04	0.04	0.04	0.04	0.03	0.03

D.O.C. & Number of Passes (Whitworth)

TPI	Total D.O.C. (in)	No. of Passes	1 Pass	2 Pass	3 Pass	4 Pass	5 Pass	6 Pass	7 Pass	8 Pass	9 Pass	10 Pass	11 Pass	12 Pass	13 Pass	14 Pass	15 Pass	16 Pass	17 Pass
24	0.026	13	0.0028	0.0028	0.0024	0.0024	0.0024	0.0020	0.0020	0.0020	0.0016	0.0016	0.0016	0.0012	0.0012				
20	0.032	15	0.0028	0.0028	0.0028	0.0028	0.0024	0.0024	0.0024	0.0024	0.0020	0.0020	0.0020	0.0016	0.0016	0.0012	0.0012		
18	0.036	17	0.0028	0.0028	0.0028	0.0028	0.0028	0.0024	0.0024	0.0024	0.0024	0.0020	0.0020	0.0020	0.0016	0.0016	0.0012	0.0012	0.0012

D.O.C. & Number of Passes (Unified)

TPI	Total D.O.C. (in)	No. of Passes	1 Pass	2 Pass	3 Pass	4 Pass	5 Pass	6 Pass	7 Pass	8 Pass	9 Pass	10 Pass	11 Pass	12 Pass	13 Pass	14 Pass	15 Pass	16 Pass	17 Pass	18 Pass
36	0.017	10	0.0024	0.0024	0.0024	0.0020	0.0020	0.0020	0.0016	0.0012	0.0008	0.0008								
32	0.020	11	0.0024	0.0024	0.0024	0.0020	0.0020	0.0020	0.0016	0.0012	0.0012	0.0012								
28	0.022	12	0.0028	0.0024	0.0020	0.0020	0.0020	0.0020	0.0016	0.0016	0.0012	0.0012	0.0012							
24	0.026	12	0.0028	0.0028	0.0024	0.0024	0.0024	0.0020	0.0020	0.0020	0.0020	0.0016	0.0012							
20	0.031	14	0.0028	0.0028	0.0028	0.0024	0.0024	0.0024	0.0024	0.0024	0.0020	0.0020	0.0016	0.0016	0.0012					
18	0.035	17	0.0028	0.0028	0.0028	0.0024	0.0024	0.0024	0.0024	0.0024	0.0020	0.0020	0.0020	0.0016	0.0016	0.0016	0.0012	0.0012		
16	0.039	18	0.0028	0.0028	0.0028	0.0028	0.0024	0.0024	0.0024	0.0024	0.0024	0.0020	0.0020	0.0020	0.0016	0.0016	0.0016	0.0016	0.0012	

Recommended Cutting Conditions

Workpiece	Recommended Insert Grade (Vc : sfm)	
	MEGACOAT	
	PR1225	
Carbon Steel / Alloy Steel	★	100 - 330
Stainless Steel	★	100 - 260
Non-ferrous Metals		-

Note

- 1) The standard cutting speed is Vc = 100 - 160 sfm. The table feed may not follow the expected conditions when machining small diameter workpieces at high speeds.
- 2) Coolant is recommended.

★ : 1st Recommendation

Application of Parallel Pipe & Tapered Pipe Thread

Parallel Pipe: G (PF), Rp (PS)

Applicable Thread		TPI	Internal Threading (G, Rp)			Same Root's Radius External Threading Internal Threading
min	Symbol (Previous Symbol)		Insert	Bore Dia. (mm)		
-	G 1/16 (-)	28	EZTR	060050-55-008	6.56	0.12
1 min	G 1/8 (PF 1/8)			080070-55-008	8.57	
2 min	G 1/4 (PF 1/4)	19	EZTR	080070-55-008	11.45	0.18
3 min	G 3/8 (PF 3/8)				14.95	

Tapered Pipe: R, Rc (PT) (BSPT)

Applicable Thread		TPI	Internal Threading (Rc)			Same Root's Radius External Threading Internal Threading
min	Symbol (Previous Symbol)		Insert	Bore Dia. (mm)		
-	R 1/16, Rc 1/16 (-)	28	EZTR	060050-55-008	-	0.12
1 min	R 1/8, Rc 1/8 (PT 1/8)			080070-55-008	-	
2 min	R 1/4, Rc 1/4 (PT 1/4)	19	EZTR	080070-55-008	-	0.18
3 min	R 3/8, Rc 3/8 (PT 3/8)				-	

When using "EZT" type for Parallel Pipe / Tapered Pipe threading, the thread's corners become sharp edged due to its partial profile, and the shape will not be the same as the standard shape for Parallel Pipe / Tapered Pipe.

D.O.C. & Number of Passes (Parallel Pipe / Tapered Pipe)

TPI	Total D.O.C. (in)	No. of Passes	1 Pass	2 Pass	3 Pass	4 Pass	5 Pass	6 Pass	7 Pass	8 Pass	9 Pass	10 Pass	11 Pass	12 Pass	13 Pass	14 Pass	15 Pass	16 Pass	17 Pass	18 Pass
28	0.024	12	0.0028	0.0028	0.0024	0.0024	0.0024	0.0020	0.0020	0.0020	0.0016	0.0016	0.0012	0.0012						
19	0.037	18	0.0028	0.0028	0.0028	0.0028	0.0024	0.0024	0.0024	0.0024	0.0024	0.0020	0.0020	0.0020	0.0016	0.0016	0.0016	0.0016	0.0012	0.0012

Application of American National Pipe Thread (NPT)

Applicable Thread	TPI	Internal Threading		
		Toolholder	Insert	
			Partial Profile	Full Profile
1/16 NPT 1/8 NPT	27	No Tools Available		
1/4 NPT 3/8 NPT	18	EZH Sleeve	EZTR060050-60-004 EZTR070060-60-004	-
1/2 NPT 3/4 NPT	14	EZH Sleeve	EZTR070060-60-004	-
1/2 NPT 3/4 NPT	14	SINR1616S-16 SINR2016S-16	-	16IR14NPT

Application of NPTF Thread

NPTF is the thread for sealing pipes without using any sealing material.

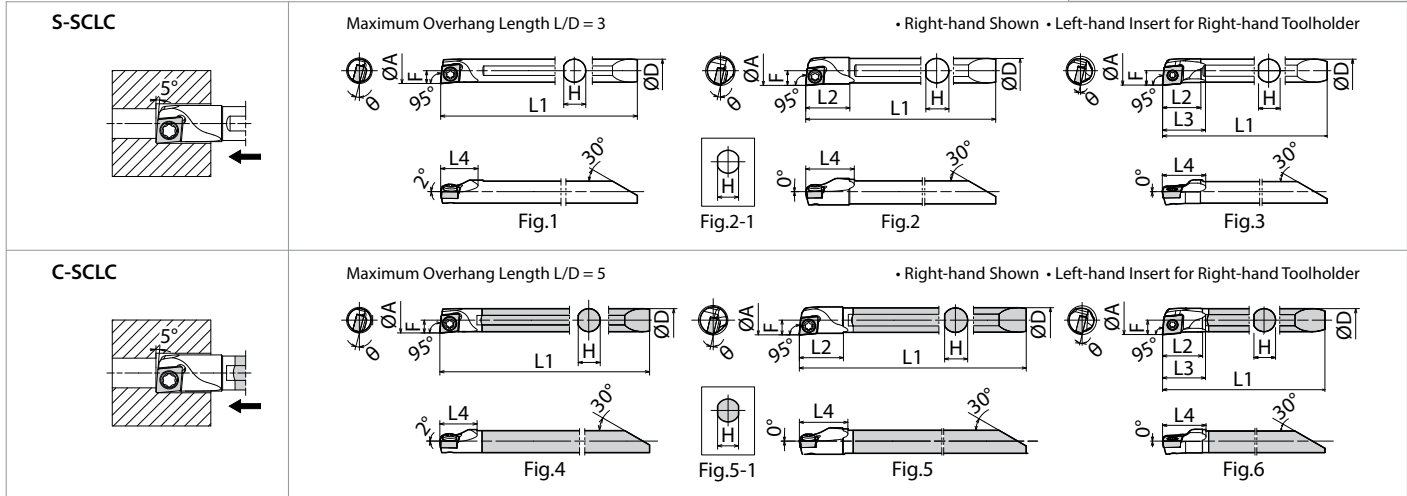
Thread symbol is similar to NPT but the tolerance is different from that of NPT and the above bars are not available for NPTF.

D.O.C. & Number of Passes (American National Pipe Thread)

TPI	Total D.O.C. (in)	No. of Passes	1 Pass	2 Pass	3 Pass	4 Pass	5 Pass	6 Pass	7 Pass	8 Pass	9 Pass	10 Pass	11 Pass	12 Pass	13 Pass	14 Pass	15 Pass	16 Pass	17 Pass	18 Pass	19 Pass
18	0.048	16	0.0071	0.0055	0.0047	0.0047	0.0039	0.0035	0.0031	0.0031	0.0028	0.0024	0.0020	0.0016	0.0012	0.0012	0.0008	0.0008			
14	0.061	19	0.0071	0.0063	0.0055	0.0055	0.0047	0.0039	0.0035	0.0035	0.0031	0.0028	0.0028	0.0024	0.0020	0.0020	0.0016	0.0016	0.0012	0.0012	0.0008

Applicable Inserts: ...SCLCR03... = CC..1109..
 ...SCLCR04... = CC..1411..
 ...SCLCR06... = CC..215..

Toolholder Dimensions



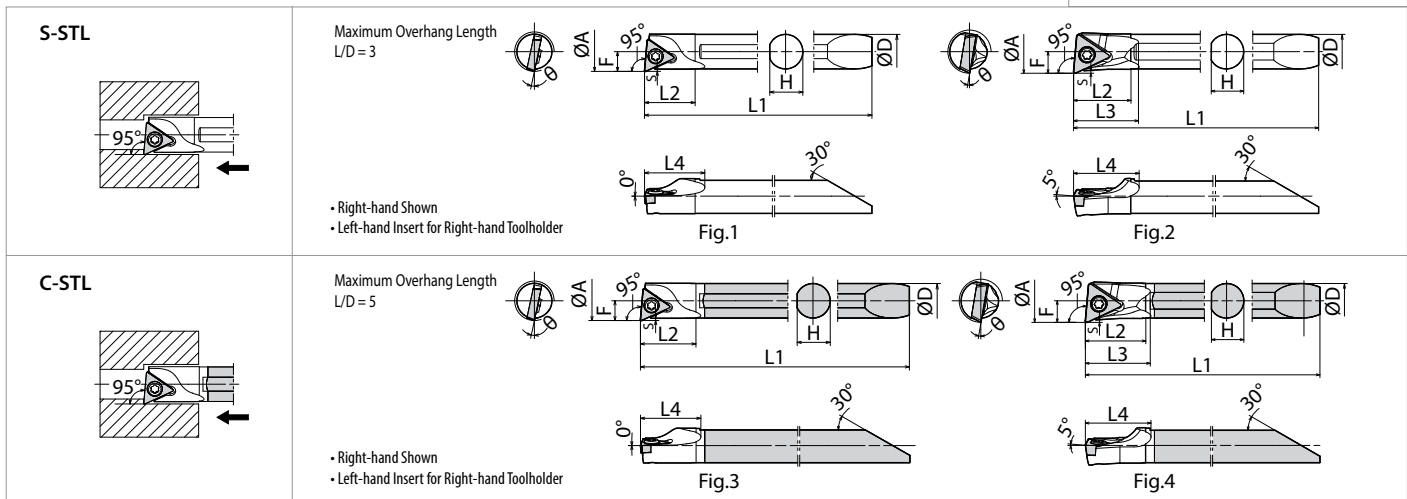
Part Number	Stock	Min. Bore Dia.	Dimensions (mm)							θ	Standard Corner-R (rε)	Coolant Hole	Drawing	Spare Parts		Applicable Sleeve See P17-P22
			R	∅A	∅D	H	L1	L2	L3					L4	F	
Steel	●	5	4.5	4.3	42.4	-	-	8.5	2.5	15°	0.2	No	Fig.1	SB-1635TR	FT-6	EZH045...
	○	5	4.5	4.3	42.4	-	-	7.0	2.5	15°	0.2	Fig.1	EZH050...			
	○	6	5.0	4.7	48.4	9.0	-	10.0	3.0	13°	0.2	Fig.2	SB-2035TR	FT-6	EZH060...	
	●	7	6.0	5.4	53.9	11.8	-	11.5	3.5	13°	0.2	Fig.2-1			EZH070...	
	○	7	6.0	5.7	54.4	10.0	-	11.0	3.5	13°	0.2	Fig.2	EZH080...			
	○	8	7.0	6.7	60.4	10.3	-	12.0	4.0	11°	0.2	Fig.2	SB-2545TR	FT-8	EZH080...	
Carbide	○	10	8.0	7.5	69.5	13.3	15	15.0	5.0	14°	0.4	Fig.3	SB-1635TR	FT-6	EZH045...	
	●	5	4.5	4.3	51.4	-	-	8.5	2.5	15°	0.2	Fig.4			EZH050...	
	○	5	4.5	4.3	51.4	-	-	7.0	2.5	15°	0.2	Fig.4	SB-2035TR	FT-6	EZH060...	
	○	6	5.0	4.7	58.4	9.0	-	10.0	3.0	13°	0.2	Fig.5			EZH070...	
	●	7	6.0	5.4	65.9	11.8	-	11.5	3.5	13°	0.2	Fig.5-1	EZH080...			
	○	7	6.0	5.7	66.4	10.0	-	11.0	3.5	13°	0.2	Fig.5	SB-2545TR	FT-8	EZH080...	
○	8	7.0	6.7	74.4	11.0	-	12.0	4.0	11°	0.2	Fig.5	SB-2545TR	FT-8	EZH080...		
○	10	8.0	7.5	85.5	14.0	15	15.0	5.0	14°	0.4	Fig.6					

*The shapes of shanks (H) for S060X-SCLCR04-070EZ and C060X-SCLCR04-070EZ are shown in Fig.2-1 and Fig.5-1.

● : U.S. Stock ○ : World Express (Shipping: 7-10 Business Days)

Toolholder Dimensions

Applicable Inserts: ...STLBR06... = TB.121..
 ...STLPR09... = TP.1815..



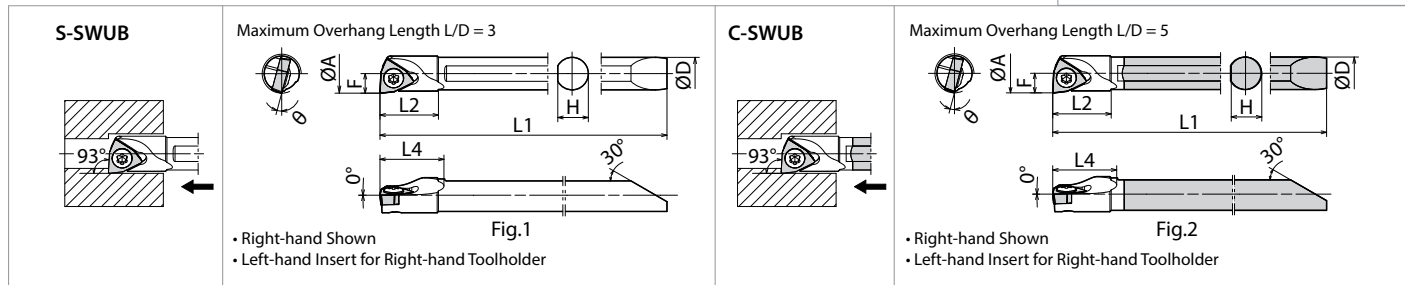
Part Number	Stock	Min. Bore Dia.	Dimensions (mm)							θ	Standard Corner-R (rε)	Coolant Hole	Drawing	Spare Parts		Applicable Sleeve See P17-P22	
			R	∅A	∅D	H	L1	L2	L3					L4	F		S
Steel	○	8	7	6.7	60.4	10.3	-	12	4	0.4	12°	0.2	No	Fig.1	SB-2035TR	FT-6	EZH070...
	○	10	8	7.5	69.5	13.3	15	15	5	0.5	10°	0.4	Fig.2	SB-2545TR	FT-8	EZH080...	
Carbide	○	8	7	6.7	74.4	11.0	-	12	4	0.4	12°	0.2	No	Fig.3	SB-2035TR	FT-6	EZH070...
	○	10	8	7.5	85.5	14.0	15	15	5	0.5	10°	0.4	Fig.4	SB-2545TR	FT-8	EZH080...	

*TB**06**08 Inserts cannot be used

● : U.S. Stock ○ : World Express (Shipping: 7-10 Business Days)

Toolholder Dimensions

Applicable Inserts: ...SWUBR06... = WB..121..
...SWUBR08... = WB..1515..

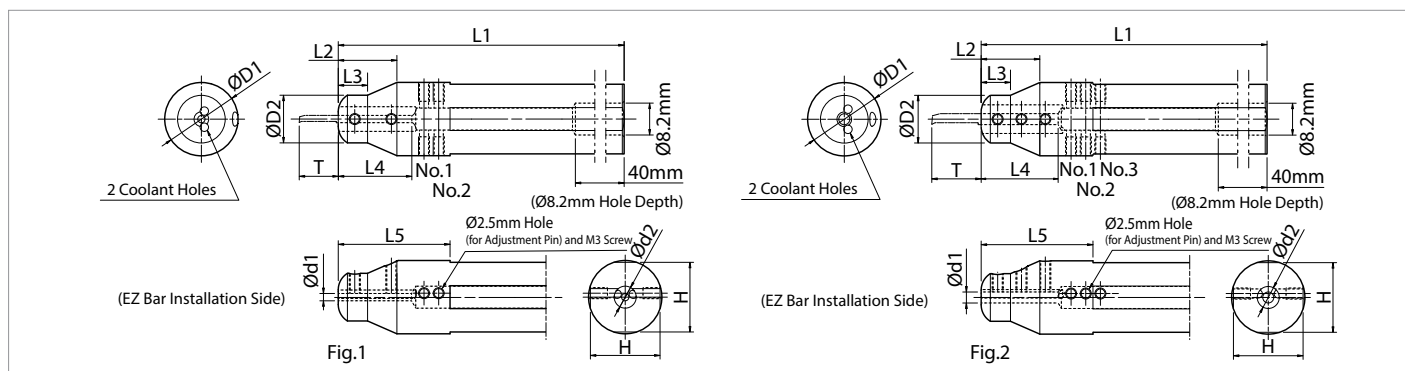


Part Number	Stock	Min. Bore Dia.	Dimensions (mm)							θ	Standard Corner-R (r)	Coolant Hole	Drawing	Spare Parts		Applicable Sleeve See P17-P22
			R	ØA	ØD	H	L1	L2	L3					L4	F	
Steel	●	6	5	4.7	48.4	9.0	-	10	3.0	15°	0.2	No	Fig.1	SB-2035TR	FT-6	EZH050...
	○	7	6	5.7	54.4	10.0	-	11	3.5	13°	0.2					EZH060...
	○	8	7	6.7	60.4	10.3	-	12	4.0	15°	0.2					EZH070...
Carbide	●	6	5	4.7	58.4	9.0	-	10	3.0	15°	0.2	No	Fig.2	SB-2035TR	FT-6	EZH050...
	○	7	6	5.7	66.4	10.0	-	11	3.5	13°	0.2					EZH060...
	○	8	7	6.7	74.4	11.0	-	12	4.0	15°	0.2					EZH070...

● : U.S. Stock ○ : World Express (Shipping: 7-10 Business Days)

Applicable Sleeve

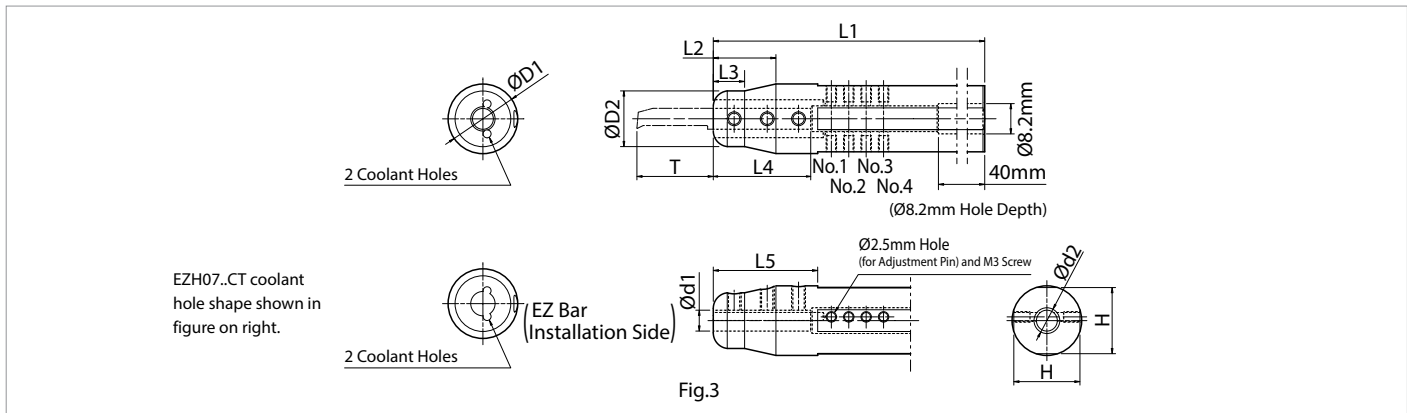
With Coolant Hole and EZ Adjust Structure



Sleeve Dimensions

Part Number	Stock	Dimensions (mm)										Bar Overhang Length *T (mm)				Drawing	Applicable EZ Bar See P6-P14			
		Ød1	ØD1	ØD2	Ød2	H	L1	L2	L3	*L4	L5	Adjustment Pin Setting								
												No.1	No.2	No.3	No.4					
EZH 01719CT-120	●	0.750"				18.0	120												Fig.1	EZBR...017...
	○	20.00				19.0	120													
	○	22.00	13	6		21.0	135	16	8	16	30.5	7.5	3.5	-	-					
	○	25.00				24.0	135				30.5									
	○	1.000"				24.4	120				30.5									
EZH 02019CT-120	●	0.750"				18.0	120											Fig.1	EZBR...020...	
	○	20.00				19.0	120													
	○	22.00	13	6		21.0	135	16	8	20	30.5	8.5	4.5	-	-					
	○	25.00				24.0	135				30.5									
	○	1.000"				24.4	120				30.5									
EZH 02519CT-120	●	0.750"				18.0	120											Fig.1	EZBR...025... EZTR...025...	
	○	20.00				19.0	120													
	○	22.00	13	6		21.0	135	16	8	20	30.5	11	7	-	-					
	○	25.00				24.0	135				30.5									
	○	1.000"				24.4	120				30.5									
EZH 03019CT-120	●	0.750"				18.0	120											Fig.2	EZBR...030... EZVBR...030... EZGR...030... EZTR...030...	
	○	20.00				19.0	120													
	○	22.00	13	6		21.0	135	16	8	21	30.5	13.5	9.5	5.5	-					
	○	25.00				24.0	135				30.5									
	○	1.000"				24.4	120				30.5									
EZH 03519CT-120	●	0.750"				18.0	120											Fig.2	EZBR...035... EZTR...035...	
	○	20.00				19.0	120													
	○	22.00	13	6		21.0	135	16	8	21	31.1	15.5	11.5	7.5	-					
	○	25.00				24.0	135				31.1									
	○	1.000"				24.4	120				31.1									

*1: L4 shows Ød1 length. Choose sleeves (Ød1) to match with ØD dimension of the bar ● : U.S. Stock ○ : World Express (Shipping: 7-10 Business Days)
*2: Dimension T shows overhang length of the EZB Bar when attached to sleeve (with the exception of extended reach bars).
Ø8.2mm hole on the sleeve end is prepared with Rc1/8 threading. Please modify with additional machining if necessary. The sleeve hardness is 42HRC.



Sleeve Dimensions

Part Number	Stock	Dimensions (mm)										Bar Overhang Length *T (mm)				Drawing	Applicable EZ Bar See P6-P17		
		Ød1	ØD1	ØD2	Ød2	H	L1	L2	L3	*L4	L5	No.1	No.2	No.3	No.4				
EZH 04019CT-120	●		0.750"			18.0	120											Fig.3	EZBR...040... EZVBR...040... EZGR...040... EZFR...040... EZTR...040...
04020CT-120	○		20.00			19.0	120												
04022CT-135	○	4	22.00	13	6.0	21.0	135	16	8	22		20.5	16.5	12.5	8.5				
04025.0CT-135	○		25.00			24.0	135												
04025.0CT-135	○		1.000"			24.4	120												
EZH 05019CT-120	●		0.750"			18.0	120											Fig.3	EZBR...050... EZVBR...050... EZGR...050... EZFR...050... EZTR...050... S/C050X-...-060E2P
05020CT-120	○		20.00			19.0	120												
05022CT-135	○	5	22.00	16	6.0	21.0	135	18	9	26		25.5 (15.5)	20.5 (10.5)	15.5 (-)	10.5 (-)				
05025.0CT-135	○		25.00			24.0	135												
05025.4CT-120	●		1.000"			24.4	120												
EZH 06019CT-120	●		0.750"			18.0	120											Fig.3	EZBR...060... EZVBR...060... EZGR...060... EZTR...060... S/C060X-...-070E2(P)
06020CT-120	●		20.00			19.0	120												
06022CT-135	●	6	22.00	16	7.4	21.0	135	18	9	28		30.5 (18.5)	25.5 (13.5)	20.5 (-)	15.5 (-)				
06025.0CT-135	○		25.00			24.0	135												
06025.4CT-120	●		1.000"			24.4	120												
EZH 07019CT-120	●		0.750"			18.0	120											Fig.3	EZBR...070... EZGR...070... EZFR...070... EZTR...070... S/C070X-...-080E2P
07020CT-120	○		20.00			19.0	120												
07022CT-135	○	7	22.00	16	7.4	21.0	135	18	9	29		35.5 (21.5)	30.5 (16.5)	25.5 (11.5)	20.5 (-)				
07025.0CT-135	○		25.00			24.0	135												
07025.4CT-120	●		1.000"			24.4	120												

*1: L4 shows Ød1 length.

● : U.S. Stock

*2: Dimension T shows overhang length of the EZB Bar when attached to sleeve (with the exception of extended reach bars).

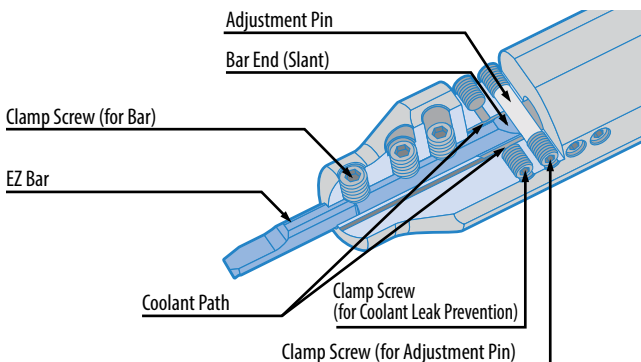
○ : World Express (Shipping: 7-10 Business Days)

Dimension in () shows overhang length of the EZ Bar PLUS when installed into the sleeve.

Choose sleeves (Ød1) that match ØD dimension of bar.

Ø8.2mm hole on the sleeve end is prepared with Rc1/8 threading. Please modify with additional machining if necessary. The sleeve hardness is 42HRC.

EZH-CT internal Structure



Spare Parts (for EZH-CT Sleeves)

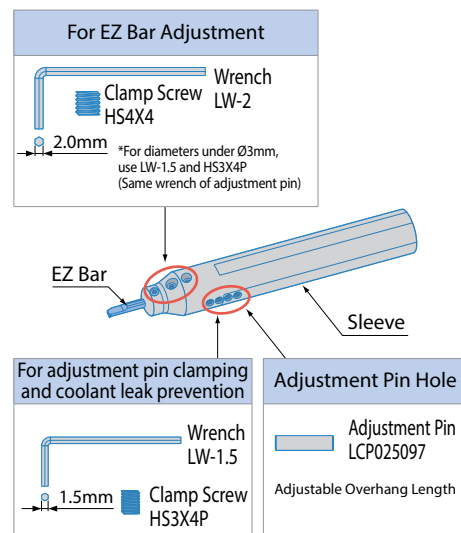
Part Number	Spare Parts				
	Clamp Screw	Wrench	Clamp Screw	Wrench	Adjustment Pin
EZH 017...CT-.. 020...CT-.. 025...CT-.. 030...CT-..	HS3X4P (For Adjustment Pin, Coolant Leak Prevention, and Bar)	LW-1.5 Tightening Torque 1 Nm	-	-	LCP025097
EZH 035...CT-.. 040...CT-.. 050...CT-.. 060...CT-.. 070...CT-..	HS3X4P (For Adjustment Pin, Coolant Leak Prevention, and Bar)	LW-1.5 Tightening Torque 1 Nm	HS4X4P (For Bar)	LW-2 Tightening Torque 2 Nm	LCP025097

1) If shank dia. is $\varnothing 2.5\text{mm}$ or less, use 6 clamp screws (HS3X4P), distributed as follows:

For Adjustment Pin 2pcs
For Coolant Leak Prevention 2pcs
For Bar 2pcs

2) If shank dia. is $\varnothing 3\text{mm}$, use 9 clamp screws (HS3X4P), distributed as follows:

For Adjustment Pin 2pcs
For Coolant Leak Prevention 4pcs
For Bar 3pcs



How to Install Bar Into Sleeve

How to Use Adjustment Pin and Prevent Coolant Leakage (Fig.1)

- Put the adjustment pin into the hole according to the overhang length and push it into the sleeve using the wrench "LW-1.5".
- Tighten the clamp screw for the adjustment pin "HS3X4P" using the wrench "LW-1.5" from both sides of the sleeve.
- Put the additional clamp screws "HS3X4P" into the un-used adjustment pin holes to prevent coolant leakage using the wrench "LW-1.5" and fix them from both sides of the sleeve.

How to Secure the Bar (Fig.2)

- With the chip pocket upward, set the bar into the sleeve. Secure the slant face of the bar end against the adjustment pin. Make sure that the bar does not rotate. (Fig.3)
- Tighten the clamp screw with wrench "LW-2" and secure the bar. (Use "LW-1.5" if shank dia. is 3mm or less.)

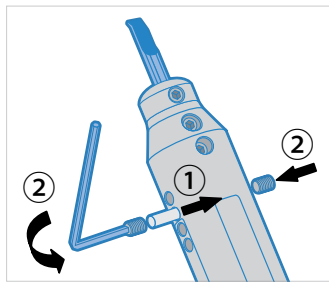


Fig. 1 How to Use Adjustment Pin

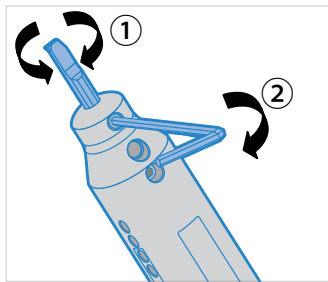


Fig. 2 How to Secure the Bar

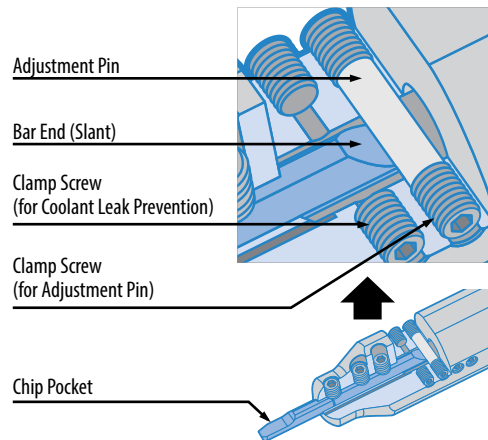
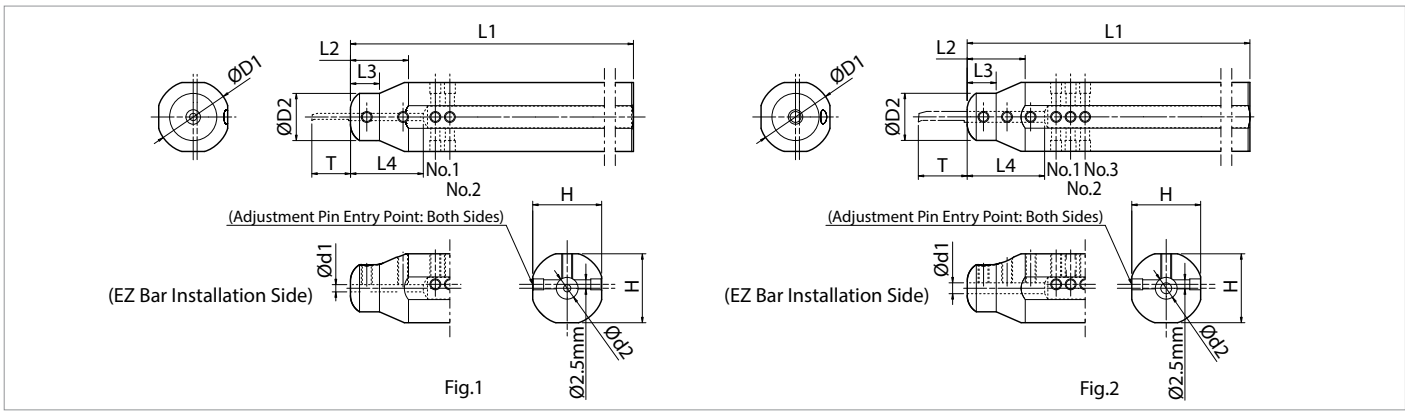


Fig. 3 Clamped Bar

Sleeve Identification System

EZ	H	020	19	CT	-	120
Bar Symbol (EZ Bar)	Application H-Sleeve	Shank Dia. of EZ Bar 020 : 2.0mm 025 : 2.5mm	Sleeve Shank Dia. 19 : 19.05mm 25.4 : 25.40mm	Precision Symbol CT: With Coolant Hole and EZ Adjust Structure HP: EZ Adjust Structure ST: Standard		Overall Length of Sleeve 120 : 120mm 135 : 135mm



Sleeve Dimensions

Part Number	Stock	Dimensions (mm)								Bar Overhang Length*T (mm)				Drawing	Applicable EZ Bar See P6-P14					
		Ød1	ØD1	ØD2	Ød2	H	L1	L2	L3	*L4	No.1	No.2	No.3			No.4				
EZH 01716HP-100	○		16.00			15.0	100													
EZH 01719HP-120	●		0.750"			18.0	120													
EZH 01720HP-120	○	1.7	20.00	13	6	19.0	120	16	8	16	7.5	3.5	-	-	Fig.1	EZBR...017...				
EZH 01722HP-135	○		22.00			21.0	135													
EZH 01725.0HP-135	○		25.00			24.0	135													
EZH 01725.4HP-120	●		1.000"			24.4	120													
EZH 02016HP-100	○		16.00			15.0	100													
EZH 02019HP-120	●		0.750"			18.0	120													
EZH 02020HP-120	○	2.0	20.00	13	6	19.0	120	16	8	20	8.5	4.5	-	-	Fig.1	EZBR...020...				
EZH 02022HP-135	○		22.00			21.0	135													
EZH 02025.0HP-135	○		25.00			24.0	135													
EZH 02025.4HP-120	●		1.000"			24.4	120													
EZH 02516HP-100	○		16.00			15.0	100													
EZH 02519HP-120	●		0.750"			18.0	120													
EZH 02520HP-120	○	2.5	20.00	13	6	19.0	120	16	8	20	11.0	7.0	-	-	Fig.1	EZBR...025... EZTR...025...				
EZH 02522HP-135	○		22.00			21.0	135													
EZH 02525.0HP-135	○		25.00			24.0	135													
EZH 02525.4HP-120	●		1.000"			24.4	120													
EZH 03016HP-100	○		16.00			15.0	100													
EZH 03019HP-120	●		0.750"			18.0	120													
EZH 03020HP-120	○	3.0	20.00	13	6	19.0	120	16	8	21	13.5	9.5	5.5	-	Fig.2	EZBR...030... EZVBR...030... EZGR...030... EZTR...030...				
EZH 03022HP-135	○		22.00			21.0	135													
EZH 03025.0HP-135	○		25.00			24.0	135													
EZH 03025.4HP-120	●		1.000"			24.4	120													
EZH 03516HP-100	○		16.00			15.0	100													
EZH 03519HP-120	○		0.750"			18.0	120													
EZH 03520HP-120	○	3.5	20.00	13	6	19.0	120	16	8	22	15.5	11.5	7.5	-	Fig.2	EZBR...035... EZTR...035...				
EZH 03522HP-135	○		22.00			21.0	135													
EZH 03525.0HP-135	○		25.00			24.0	135													
EZH 03525.4HP-120	●		1.000"			24.4	120													
EZH 04016HP-100	○		16.00			15.0	100													
EZH 04019HP-120	●		0.750"			18.0	120													
EZH 04020HP-120	○	4.0	20.00	13	6	19.0	120	16	8	24	20.5	16.5	12.5	8.5	Fig.4	EZBR...040... EZVBR...040... EZGR...040... EZFR...040... EZTR...040...				
EZH 04022HP-135	○		22.00			21.0	135													
EZH 04025.0HP-135	○		25.00			24.0	135													
EZH 04025.4HP-120	●		1.000"			24.4	120													

*1: L4 shows Ød1 length.

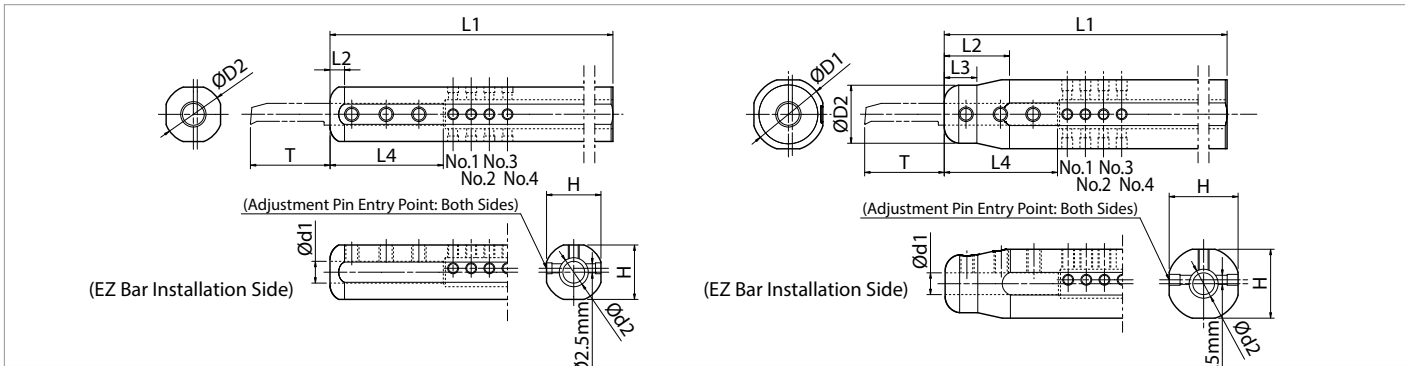
*2: Dimensions T shows overhang length of the EZB Bar when attached to sleeve (with the exception of extended reach bars).
Choose sleeves (Ød1) to match with ØD dimension of bar.

● : U.S. Stock

○ : World Express (Shipping: 7-10 Business Days)

Spare Parts (for EZH-HP Sleeves)

Part Number	Clamp Screw	Wrench	Spare Parts Clamp Screw	Wrench	Adjustment Pin
	EZH 017...HP-.. 020...HP-.. 025...HP-.. 030...HP-..	HS3X4P (for Both Adjustment Pin and Bar)	LW-1.5 Tightening Torque 1 Nm	-	-
EZH 035...HP-.. 040...HP-.. 045...HP-.. 050...HP-.. 060...HP-.. 070...HP-..	HS3X4P (Only for Adjustment Pin)	LW-1.5 Tightening Torque 1 Nm	HS4X4P (For Bar)	LW-2 Tightening Torque 2 Nm	LCP025140

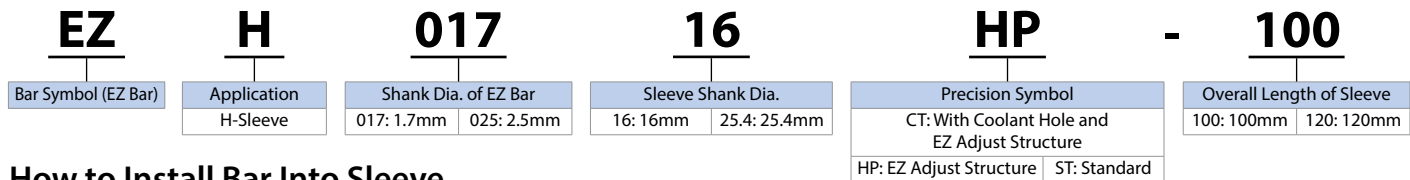


Sleeve Dimensions

Part Number	Stock	Dimensions (mm)										Bar Overhang Length*T (mm)				Drawing	Applicable EZ Bar See P6-P17
		Ød1	ØD1	ØD2	Ød2	H	L1	L2	L3	*L4	No.1	No.2	No.3	No.4			
EZH 04516HP-100	○	4.5	16.00	16	6.0	15.0	100	4	-	25.3					Fig.3	S/C045X-...-050EZ(P)	
04519HP-120	○		0.750"			18.0	120							Fig.4			
04520HP-120	○		20.00			19.0	120										
04522HP-135	○	4.5	22.00	16	6.0	21.0	135	18	9	25.3	23 (14)	18.5 (9.5)	14 (-)	9.5 (-)			
04525.0HP-135	●		25.00			24.0	135										
04525.4HP-120	●		1.000"			24.4	120										
EZH 05016HP-100	○	5.0	16.00	16	6.0	15.0	100	4	-	29.0					Fig.3	EZBR...050... EZVBR...050... EZGR...050... EZFR...050... EZTR...050... S/C050X-...-060EZP	
05019HP-120	○		0.750"			18.0	120							Fig.4			
05020HP-120	○		20.00			19.0	120				25.5 (15.5)	20.5 (10.5)	15.5 (-)		10.5 (-)		
05022HP-135	○	5.0	22.00	16	6.0	21.0	135	18	9	29.0							
05025.0HP-135	○		25.00			24.0	135										
05025.4HP-120	●		1.000"			24.4	120										
EZH 06016HP-100	○	6.0	16.00	16	8.0	15.0	100	4	-	31.0					Fig.3	EZBR...060... EZVBR...060... EZGR...060... EZTR...060... S/C060X-...-070EZ(P)	
06019HP-120	●		0.750"			18.0	120							Fig.4			
06020HP-120	○		20.00			19.0	120				30.5 (18.5)	25.5 (13.5)	20.5 (-)		15.5 (-)		
06022HP-135	○	6.0	22.00	16	8.0	21.0	135	18	9	31.0							
06025.0HP-135	○		25.00			24.0	135										
06025.4HP-120	●		1.000"			24.4	120										
EZH 07016HP-100	○	7.0	16.00	16	8.0	15.0	100	4	-	33.0					Fig.3	EZBR...070... EZGR...070... EZFR...070... EZTR...070... S/C070X-...-080EZP	
07019HP-120	●		0.750"			18.0	120							Fig.4			
07020HP-120	○		20.00			19.0	120				35.5 (21.5)	30.5 (16.5)	25.5 (11.5)		20.5 (-)		
07022HP-135	○	7.0	22.00	16	8.0	21.0	135	18	9	33.0							
07025.0HP-135	○		25.00			24.0	135										
07025.4HP-120	○		1.000"			24.4	120										
EZH 08019HP-120	○		0.750"			18.0	120							Fig.4	S/C080X-...-100EZP		
08020HP-120	○		20.00			19.0	120										
08022HP-135	○	8.0	22.00	16	8.4	21.0	135	18	9	37.0	40.5 (24.5)	35.5 (19.5)	30.5 (14.5)			25.5 (-)	
08025.0HP-135	○		25.00			24.0	135										
08025.4HP-120	○		1.000"			24.4	120										

*1: L4 shows Ød1 length. ● : U.S. Stock
 *2: Dimension T shows overhang length of the EZB Bar when attached to sleeve (with the exception of extended reach bars). ○ : World Express (Shipping: 7-10 Business Days)
 Dimension in () shows overhang length of the EZ Bar PLUS when installed into the sleeve.
 Choose sleeves (Ød1) that match ØD dimension of bar.

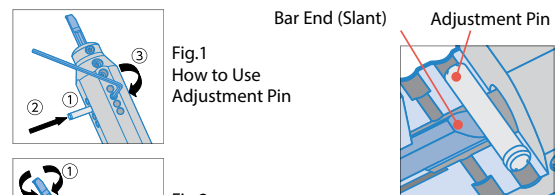
Sleeve Identification System



How to Install Bar Into Sleeve

How to Use Adjustment Pin (Fig.1)

- Put the adjustment pin into the hole.
- Push it into the sleeve, using the wrench "LW-1.5".
- Tighten the clamp screw "HS3X4P" with wrench "LW-1.5" to fix the adjustment screw.



How to Secure Bar (Fig.2)

- With the chip pocket upward, set the bar in sleeve. Press the slant of the end of the bar against the adjustment pin. Make sure that the bar does not rotate (Fig.3)
- Tighten the clamp screw with wrench "LW-2" and secure the bar. (Use "LW-1.5" if shank dia. is 3mm or less.)

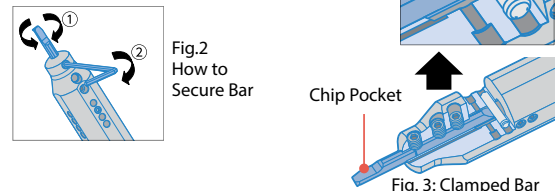
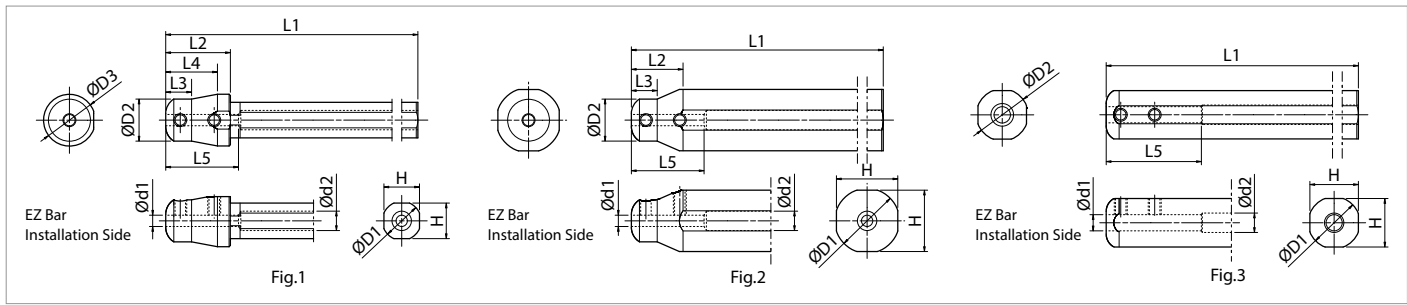


Fig. 3: Clamped Bar



Sleeve Dimensions

Part Number	Stock	Dimensions (mm)											Drawing	Applicable EZ Bar See P6-P14
		Ød1	ØD1	ØD2	ØD3	Ød2	H	L1	L2	L3	L4	*L5		
EZH 01712ST-80	○	1.7	12.00	13	16	6	11.0	80	20	8	16	16	Fig.1	EZBR...017...
01716ST-100	○		16.00				15.0	100					Fig.2	
01719ST-120	○		0.750"				18.0	120						
01720ST-120	○	1.7	20.00	13	-	6	19.0	120	16	8	-	16		
01722ST-135	○		22.00				21.0	135						
01725.0ST-135	○		25.00				24.0	135						
01725.4ST-120	○		1.000"				24.4	120						
EZH 02512ST-80	○	2.5	12.00	13	16	6	11.0	80	20	8	16	20	Fig.1	EZBR...025... EZTR...025...
02516ST-100	○		16.00				15.0	100					Fig.2	
02519ST-120	○		0.750"				18.0	120						
02520ST-120	○	2.5	20.00	13	-	6	19.0	120	16	8	-	20		
02522ST-135	○		22.00				21.0	135						
02525.0ST-135	○		25.00				24.0	135						
02525.4ST-120	○		1.000"				24.4	120						
EZH 03512ST-80	○	3.5	12.00	13	16	6	11.0	80	20	8	16	22	Fig.1	EZBR...035... EZTR...035...
03516ST-100	○		16.00				15.0	100					Fig.2	
03519ST-120	○		0.750"				18.0	120						
03520ST-120	○	3.5	20.00	13	-	6	19.0	120	16	8	-	22		
03522ST-135	○		22.00				21.0	135						
03525.0ST-135	○		25.00				24.0	135						
03525.4ST-120	○		1.000"				24.4	120						
EZH 04019ST-120	○	4.0	0.750"	13	-	6	18.0	120	16	8	-	24	Fig.2	EZBR...040... EZVBR...040... EZGR...040... EZFG...040... EZTR...040...
04020ST-120	○		20.00				19.0	120						
EZH 08016ST-100	○	8	16.00	16	-	8.4	15.0	100	-	-	-	37	Fig.3	S/C080X-...-100EZP
08019ST-120	○		0.750"				18.0	120					Fig.2	
08020ST-120	○		20.00				19.0	120						
08022ST-135	○	8	22.00	16	-	8.4	21.0	135	18	9	-	37		
08025.0ST-135	○		25.00				24.0	135						
08025.4ST-120	○		1.000"				24.4	120						

*L5 shows Ød1 length.

Choose sleeves (Ød1) that match with ØD dimension of bar.

Adjustment Pin cannot be installed into EZH-ST sleeves. To adjust overhang of EZB bars, please use EZH-CT/HP sleeves.

● : U.S. Stock

○ : World Express (Shipping: 7-10 Business Days)

Spare Parts (for EZH-ST Sleeves)

Description	Spare Parts		Applicable EZ Bar					
	Clamp Screw	Wrench	EZB-HP	EZB-ST	EZB-NB	EZG EZFG	EZT	EZ Bar PLUS
EZH 017...ST-..	HS3X4P	LW-1.5 Tightening Torque 1 Nm	-	EZBR...017ST...	EZBR020017...NB	-	-	-
020...ST-..			EZBR...020HP...	EZBR...020ST...	EZBR025020...NB			
025...ST-..			EZBR...025HP...	EZBR...025ST...	EZBR030025...NB		EZTR...025...	
030...ST-..			EZBR...030HP...	EZBR...030ST...	EZBR...030...NB	EZGR...030...	EZTR...030...	-
EZH 035...ST-..	HS4X4P	LW-2 Tightening Torque 2 Nm	EZBR...035HP...	EZBR...035ST...	EZBR...035...NB	-	EZTR...035...	
040...ST-..			EZBR...040HP...	EZBR...040ST...	EZBR...040...NB	EZGR...040... EZFG...040...	EZTR...040...	
050...ST-..			EZBR...050HP...	EZBR...050ST...	EZBR...050...NB	EZGR...050... EZFG...050...	EZTR...050...	S/C050X-...-060EZP
060...ST-..			EZBR...060HP...	EZBR...060ST...	EZBR...060...NB	EZGR...060...	EZTR...060...	S/C060X-...-070EZ(P)
070...ST-..			-	EZBR...070ST...	EZBR...070...NB	EZGR...070... EZFG...070...	EZTR...070...	S/C070X-...-080EZP
080...ST-..			-	-	-	-	-	S/C080X-...-100EZP

Applicable Sleeves for Machine Manufacturers

Sleeve Description			Applicable EZ Bar					Applicable Machine Manufacturer		
EZH-CT EZ Adjust Structure and with Coolant Hole	EZH-HP Adjustable	EZH-ST	Sleeve Shank Dia. ØD (mm)	EZB	EZVB - EZG EZFG - EZT	EZ Bar PLUS	Shank Dia.			
							ØD (mm)			
		EZH 01712ST-80	12	EZBR ...017...			1.7	(General Purpose)		
		02012ST-80		EZBR ...020...			2.0			
		02512ST-80		EZBR ...025...			EZ__ ...025...		2.5	
		03012ST-80		EZBR ...030...			EZ__ ...030...		3.0	
		03512ST-80		EZBR ...035...			EZ__ ...035...		3.5	
		04012ST-80		EZBR ...040...			EZ__ ...040...		4.0	
		05012ST-80		EZBR ...050...			EZ__ ...050...		5.0	
		06012ST-80		EZBR ...060...			EZ__ ...060...		6.0	
		07012ST-80		EZBR ...070...			EZ__ ...070...		7.0	
	EZH 01716HP-100	EZH 01716ST-100	16	EZBR ...017...			1.7	(General Purpose)		
	02016HP-100	02016ST-100		EZBR ...020...			2.0			
	02516HP-100	02516ST-100		EZBR ...025...			EZ__ ...025...		2.5	
	03016HP-100	03016ST-100		EZBR ...030...			EZ__ ...030...		3.0	
	03516HP-100	03516ST-100		EZBR ...035...			EZ__ ...035...		3.5	
	04016HP-100	04016ST-100		EZBR ...040...			EZ__ ...040...		4.0	
	04516HP-100	-		-			-		_045X- ...-050EZ(P)	4.5
	05016HP-100	05016ST-100		EZBR ...050...			EZ__ ...050...		_050X- ...-060EZP	5.0
	06016HP-100	06016ST-100		EZBR ...060...			EZ__ ...060...		_060X- ...-070EZ(P)	6.0
	07016HP-100	07016ST-100		EZBR ...070...			EZ__ ...070...		_070X- ...-080EZP	7.0
						8.0				
	EZH 01719HP-120	EZH 01719ST-120	0.75"	EZBR ...017...			1.7	Citizen Machinery		
	02019HP-120	02019ST-120		EZBR ...020...			2.0			
	02519HP-120	02519ST-120		EZBR ...025...			EZ__ ...025...		2.5	
	03019HP-120	03019ST-120		EZBR ...030...			EZ__ ...030...		3.0	
	03519HP-120	03519ST-120		EZBR ...035...			EZ__ ...035...		3.5	
	04019HP-120	04019ST-120		EZBR ...040...			EZ__ ...040...		4.0	
	04519HP-120	-		-			-		_045X- ...-050EZ(P)	4.5
	05019HP-120	05019ST-120		EZBR ...050...			EZ__ ...050...		_050X- ...-060EZP	5.0
	06019HP-120	06019ST-120		EZBR ...060...			EZ__ ...060...		_060X- ...-070EZ(P)	6.0
	07019HP-120	07019ST-120		EZBR ...070...			EZ__ ...070...		_070X- ...-080EZP	7.0
						8.0				
	EZH 01720HP-120	EZH 01720ST-120	20	EZBR ...017...			1.7	Amada Machine Tools Eguro Tsugami Citizen Machinery (General Purpose)		
	02020HP-120	02020ST-120		EZBR ...020...			2.0			
	02520HP-120	02520ST-120		EZBR ...025...			EZ__ ...025...		2.5	
	03020HP-120	03020ST-120		EZBR ...030...			EZ__ ...030...		3.0	
	03520HP-120	03520ST-120		EZBR ...035...			EZ__ ...035...		3.5	
	04020HP-120	04020ST-120		EZBR ...040...			EZ__ ...040...		4.0	
	04520HP-120	-		-			-		_045X- ...-050EZ(P)	4.5
	05020HP-120	05020ST-120		EZBR ...050...			EZ__ ...050...		_050X- ...-060EZP	5.0
	06020HP-120	06020ST-120		EZBR ...060...			EZ__ ...060...		_060X- ...-070EZ(P)	6.0
	07020HP-120	07020ST-120		EZBR ...070...			EZ__ ...070...		_070X- ...-080EZP	7.0
						8.0				
	EZH 01722HP-135	EZH 01722ST-135	22	EZBR ...017...			1.7	Star Micronics Nomura DS Tsugami		
	02022HP-135	02022ST-135		EZBR ...020...			2.0			
	02522HP-135	02522ST-135		EZBR ...025...			EZ__ ...025...		2.5	
	03022HP-135	03022ST-135		EZBR ...030...			EZ__ ...030...		3.0	
	03522HP-135	03522ST-135		EZBR ...035...			EZ__ ...035...		3.5	
	04022HP-135	04022ST-135		EZBR ...040...			EZ__ ...040...		4.0	
	04522HP-135	-		-			-		_045X- ...-050EZ(P)	4.5
	05022HP-135	05022ST-135		EZBR ...050...			EZ__ ...050...		_050X- ...-060EZP	5.0
	06022HP-135	06022ST-135		EZBR ...060...			EZ__ ...060...		_060X- ...-070EZ(P)	6.0
	07022HP-135	07022ST-135		EZBR ...070...			EZ__ ...070...		_070X- ...-080EZP	7.0
						8				
	EZH 01725.0HP-135	EZH 01725.0ST-135	25	EZBR ...017...			1.7	Amada Machine Tools Eguro Tsugami Citizen Machinery (General Purpose)		
	02025.0HP-135	02025.0ST-135		EZBR ...020...			2.0			
	02525.0HP-135	02525.0ST-135		EZBR ...025...			EZ__ ...025...		2.5	
	03025.0HP-135	03025.0ST-135		EZBR ...030...			EZ__ ...030...		3.0	
	03525.0HP-135	03525.0ST-135		EZBR ...035...			EZ__ ...035...		3.5	
	04025.0HP-135	04025.0ST-135		EZBR ...040...			EZ__ ...040...		4.0	
	04525.0HP-135	-		-			-		_045X- ...-050EZ(P)	4.5
	05025.0HP-135	05025.0ST-135		EZBR ...050...			EZ__ ...050...		_050X- ...-060EZP	5.0
	06025.0HP-135	06025.0ST-135		EZBR ...060...			EZ__ ...060...		_060X- ...-070EZ(P)	6.0
	07025.0HP-135	07025.0ST-135		EZBR ...070...			EZ__ ...070...		_070X- ...-080EZP	7.0
						8.0				
	EZH 01725.4HP-120	EZH 01725.4ST-120	1.00"	EZBR ...017...			1.7	Citizen Machinery		
	02025.4HP-120	02025.4ST-120		EZBR ...020...			2.0			
	02525.4HP-120	02525.4ST-120		EZBR ...025...			EZ__ ...025...		2.5	
	03025.4HP-120	03025.4ST-120		EZBR ...030...			EZ__ ...030...		3.0	
	03525.4HP-120	03525.4ST-120		EZBR ...035...			EZ__ ...035...		3.5	
	04025.4HP-120	04025.4ST-120		EZBR ...040...			EZ__ ...040...		4.0	
	04525.4HP-120	-		-			-		_045X- ...-050EZ(P)	4.5
	05025.4HP-120	05025.4ST-120		EZBR ...050...			EZ__ ...050...		_050X- ...-060EZP	5.0
	06025.4HP-120	06025.4ST-120		EZBR ...060...			EZ__ ...060...		_060X- ...-070EZ(P)	6.0
	07025.4HP-120	07025.4ST-120		EZBR ...070...			EZ__ ...070...		_070X- ...-080EZP	7.0
						8.0				

Choose sleeves (Ød1) that match with ØD dimension of bar.
Adjustment Pin cannot be installed in EZH-ST sleeves. To adjust overhang of EZB bar, please use EZH-CT/HP sleeves.



KYOCERA Precision Tools, Inc.

102 Industrial Park Road
Hendersonville, NC 28792
Customer Service | 800.823.7284 - Option 1
Technical Support | 800.823.7284 - Option 2



Official Website | www.kyoceraprecisiontools.com
Distributor Website | mykpti.kyocera.com
Email | cuttingtools@kyocera.com